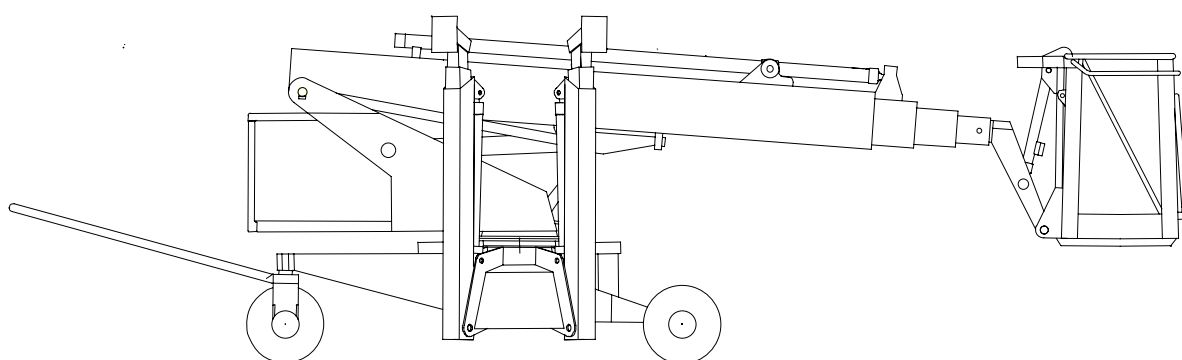


**RESERVEDELS-  
KATALOG**

**SPARE PARTS  
CATALOGUE**

**ERSATZTEILS-  
KATALOG**

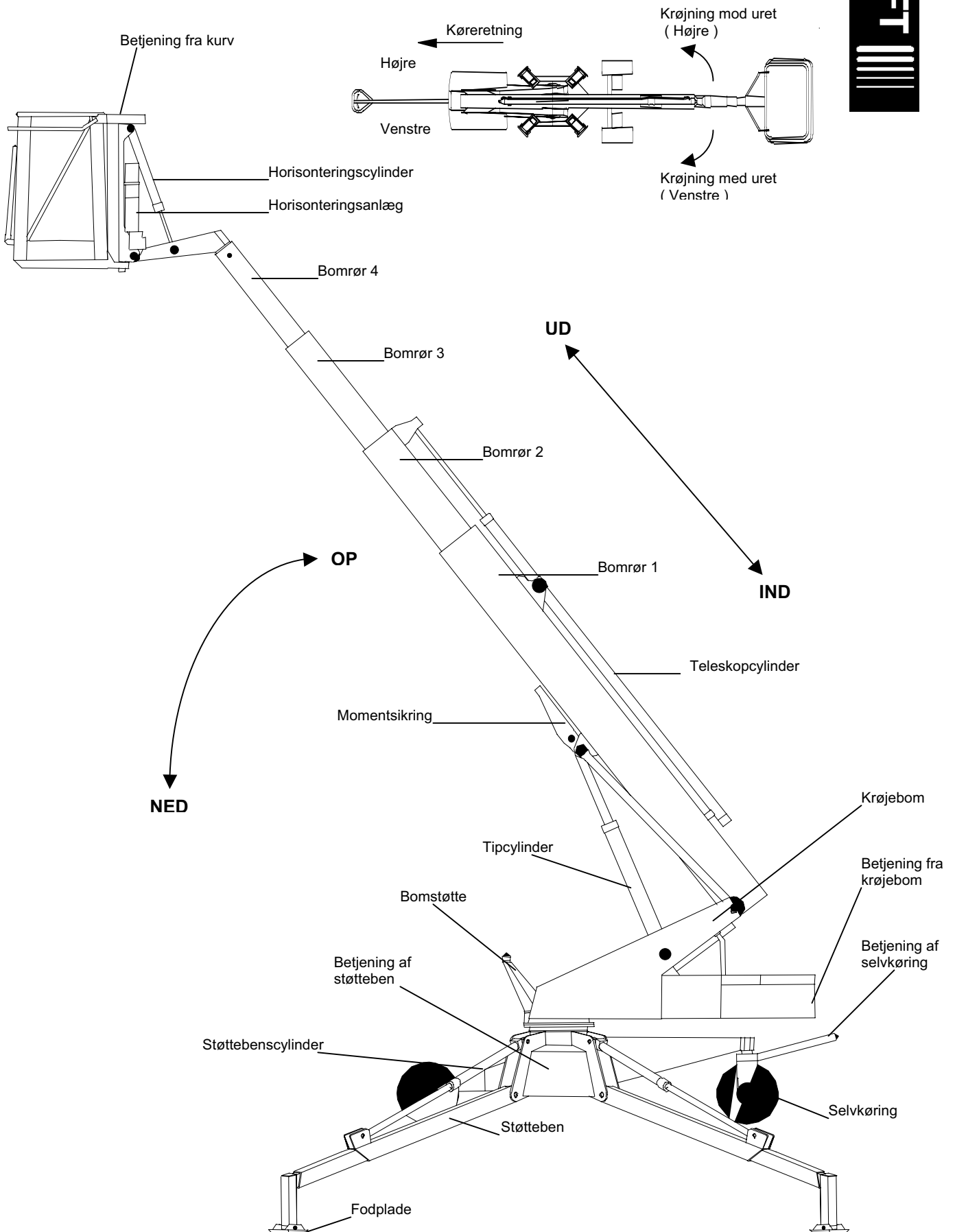


**DL19/22N**

**Version – 07.2004**

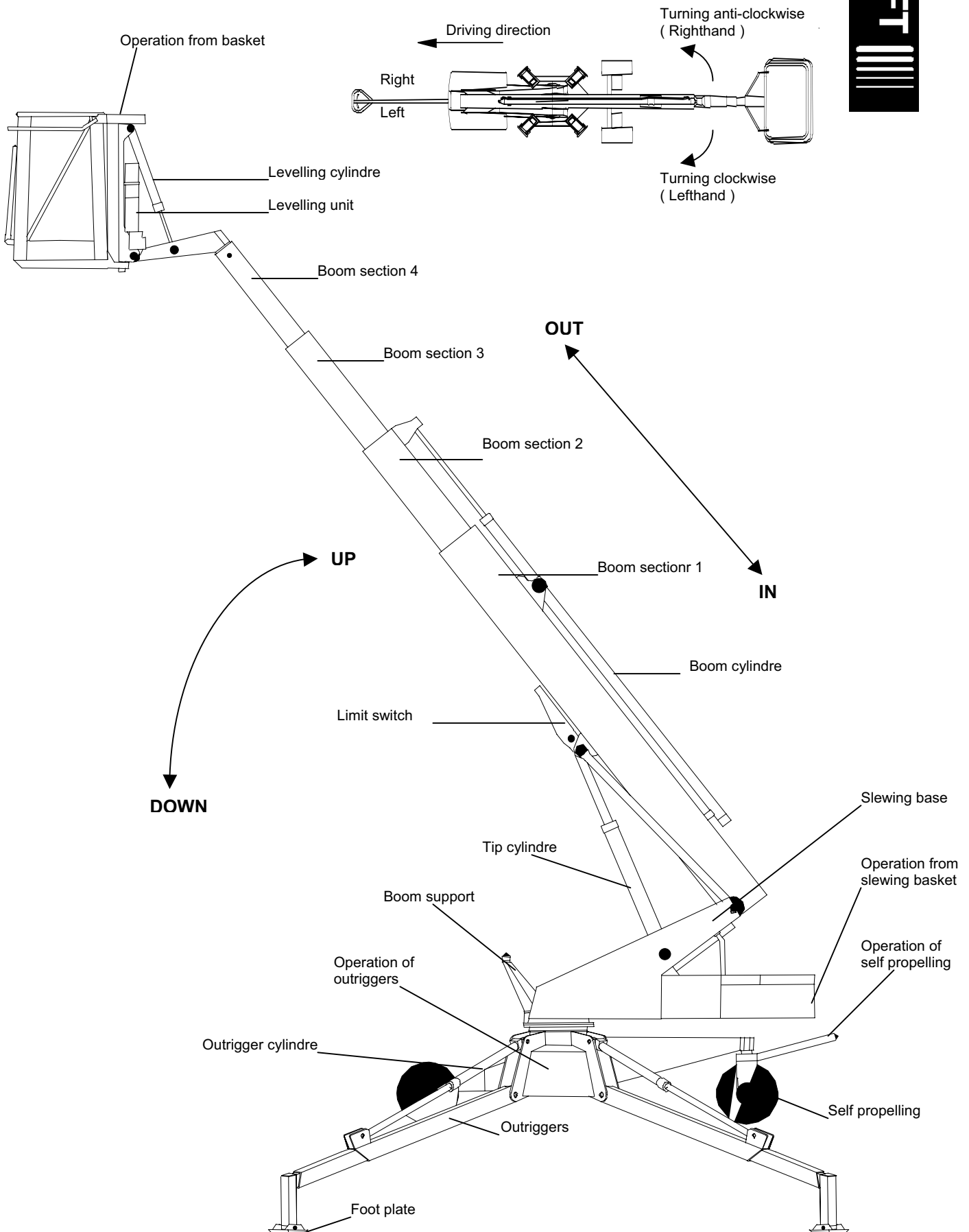
## Liftbeskrivelse – DL19N / DL22N

På denne sider forklares en del funktioner og begreber, som anvendes i reservedelskataloget.  
 Hvis der ønskes yderligere oplysninger, kontakt os da venligst.



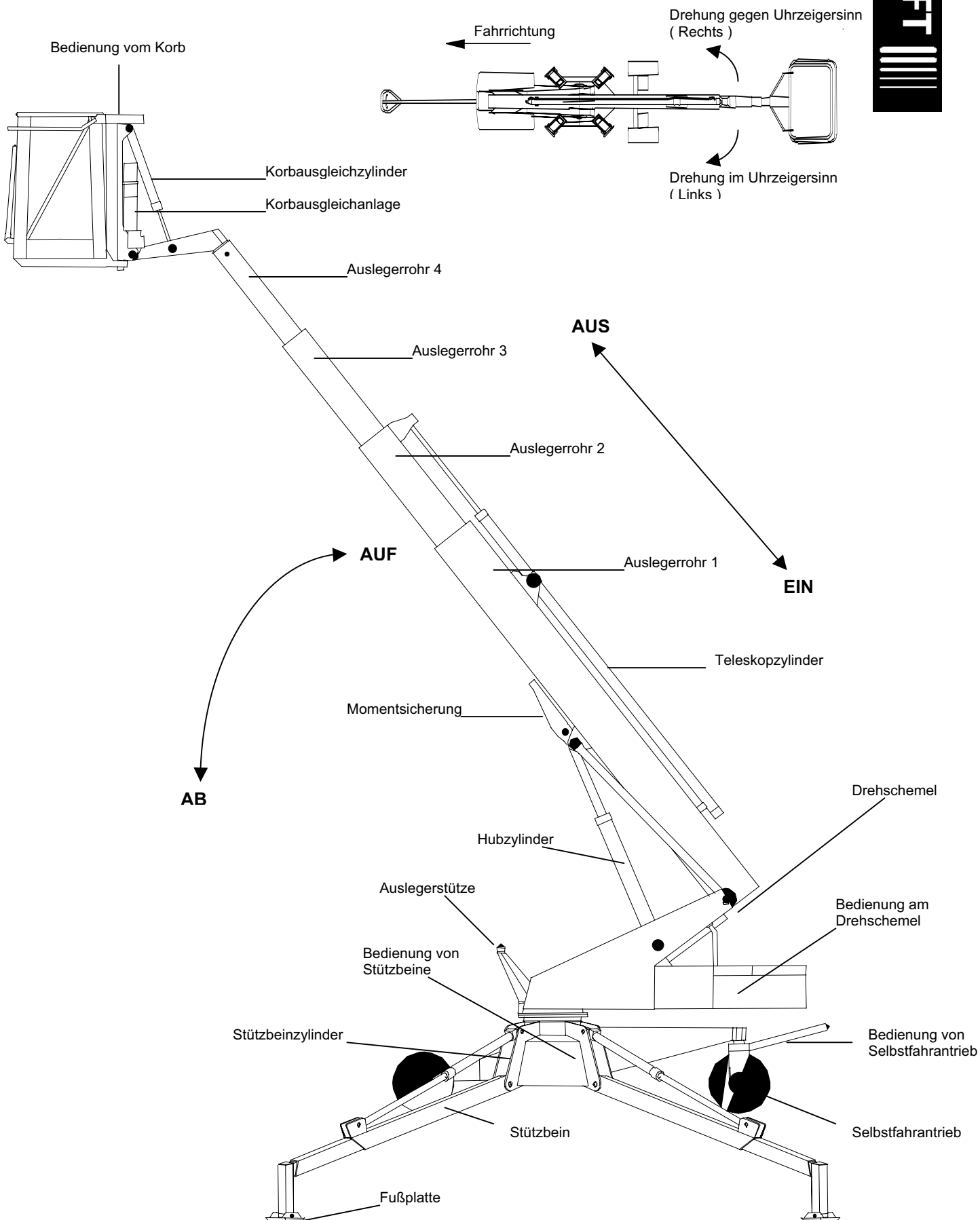
**Description of the lift – DL19N / DL22N**

At this page some functions and constructions mentioned in the spare part catalogue are explained. If you need further information, please contact us.



## Beschreibung des Liftes – DL19N / DL22N

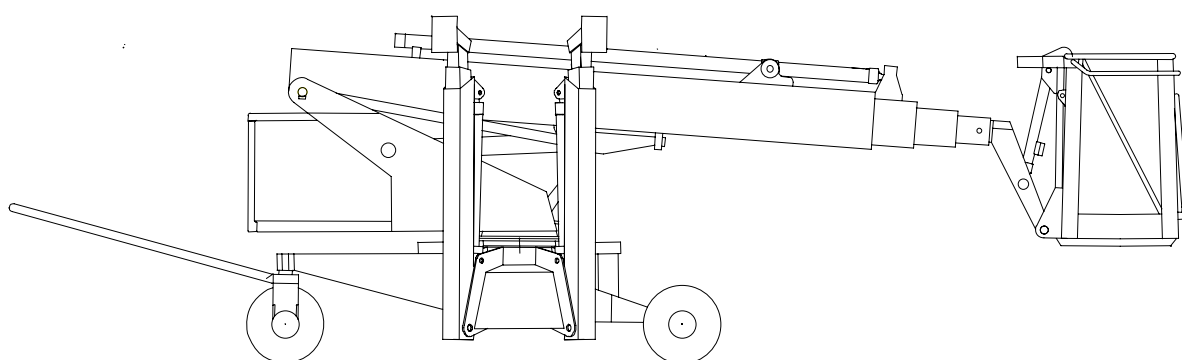
An dieser Stelle werden einige der Funktionen und Begriffe erklärt, die in den Ersatzteilkatalog benutzt werden. Falls Sie weitere Technische Daten brauchen, bitten wir Ihnen uns zu kontaktieren.



**RESERVEDELS-  
KATALOG**

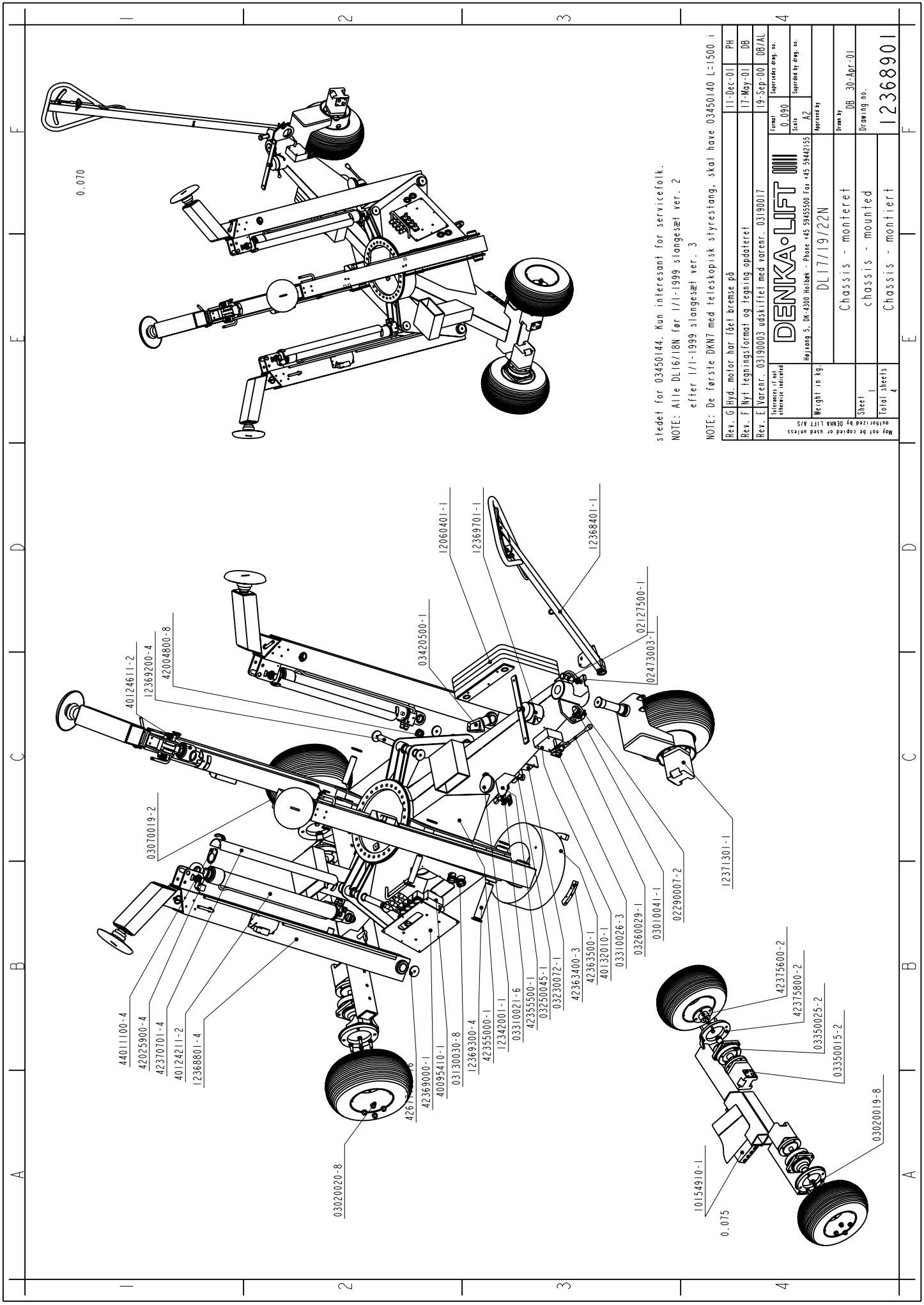
**SPARE PARTS  
CATALOGUE**

**ERSATZTEILS-  
KATALOG**



**CHASSIS**

Version – 07.2004



0.070

- 44011100-4
- 42025800-4
- 42370701-4
- 40124211-2
- 12368801-4
- 03020020-8
- 42611100-4
- 42369000-1
- 40095410-1
- 03130030-8
- 12369300-4
- 42355000-1
- 12342001-1
- 03310021-6
- 42355500-1
- 03250045-1
- 03230072-1
- 42363400-3
- 42363500-1
- 40132010-1
- 03310026-3
- 03260029-1
- 03010041-1
- 02290007-2
- 12371301-1
- 03070019-2
- 40124611-2
- 12369200-4
- 42004800-8
- 03420500-1
- 12060401-1
- 12369701-1
- 12368401-1
- 02473003-1
- 02127500-1
- 10154910-1
- 03020019-8
- 42375600-2
- 42375800-2
- 03350025-2
- 03350015-2

stedet for 03450144. Kun interessant for servicefolk.  
 NOTE: Alle DL16/18N for 1/1-1999 slangesæt ver. 2  
 efter 1/1-1999 slangesæt ver. 3

NOTE: De første DKM7 med teleskopisk styrestang, skal have 03450140 L=1500 i

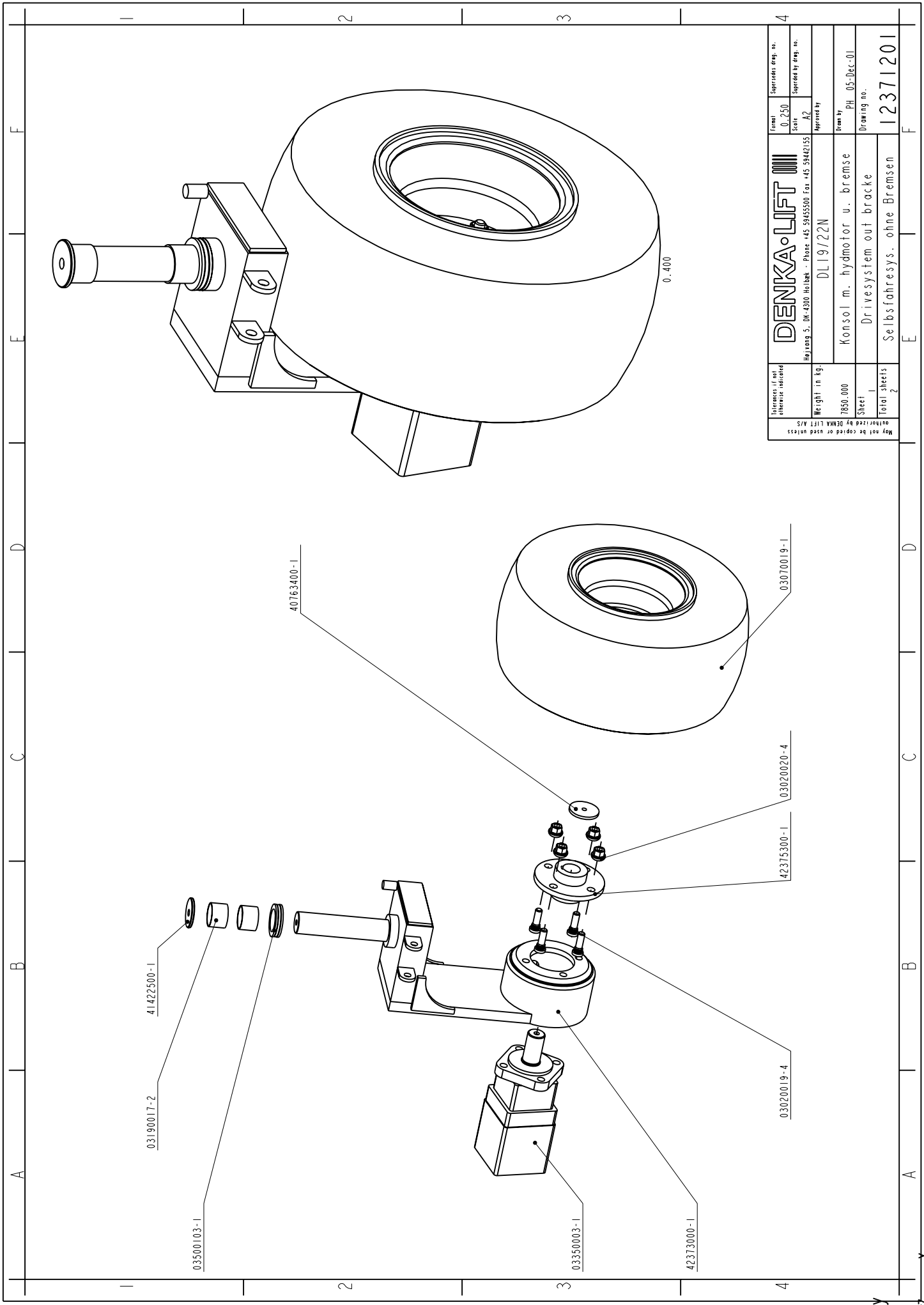
Rev. G Hyd. motor har fået bremse på	11-Dec-01	PH
Rev. F Ny! Tegningsformat og tegning opdateret	17-May-01	DB
Rev. E Varenr. 03190003 udskiftet med varenr. 03190017	19-Sep-00	DB/AL

Denka-Lift Højrang 5, DK-4200 Hørbæk - Phone: +45 59455500 Fax: +45 59442155 DL17/19/22N	Formel 0.090 Scale A2 Approved by DB
--	---

Chassis - monteret Chassis - mounted Chassis - montiert	Sheet Total sheets 1 4
---	---------------------------------

12368901

May not be copied or used unless  
 authorized by DENKA LIFT A/S



03190017-2

03500103-1

40763400-1

03350003-1

42373000-1

03020019-4

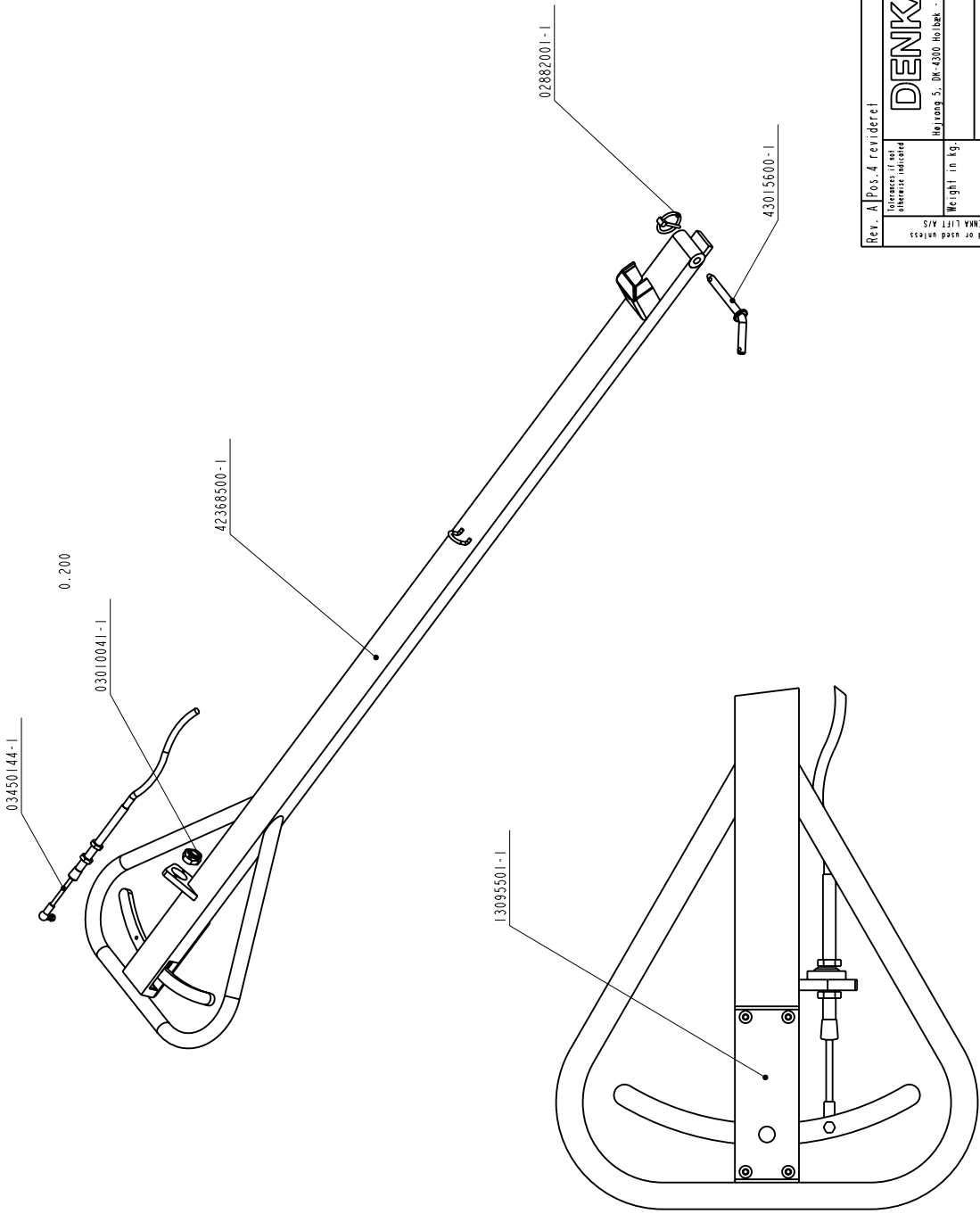
42375300-1

03020020-4

03070019-1

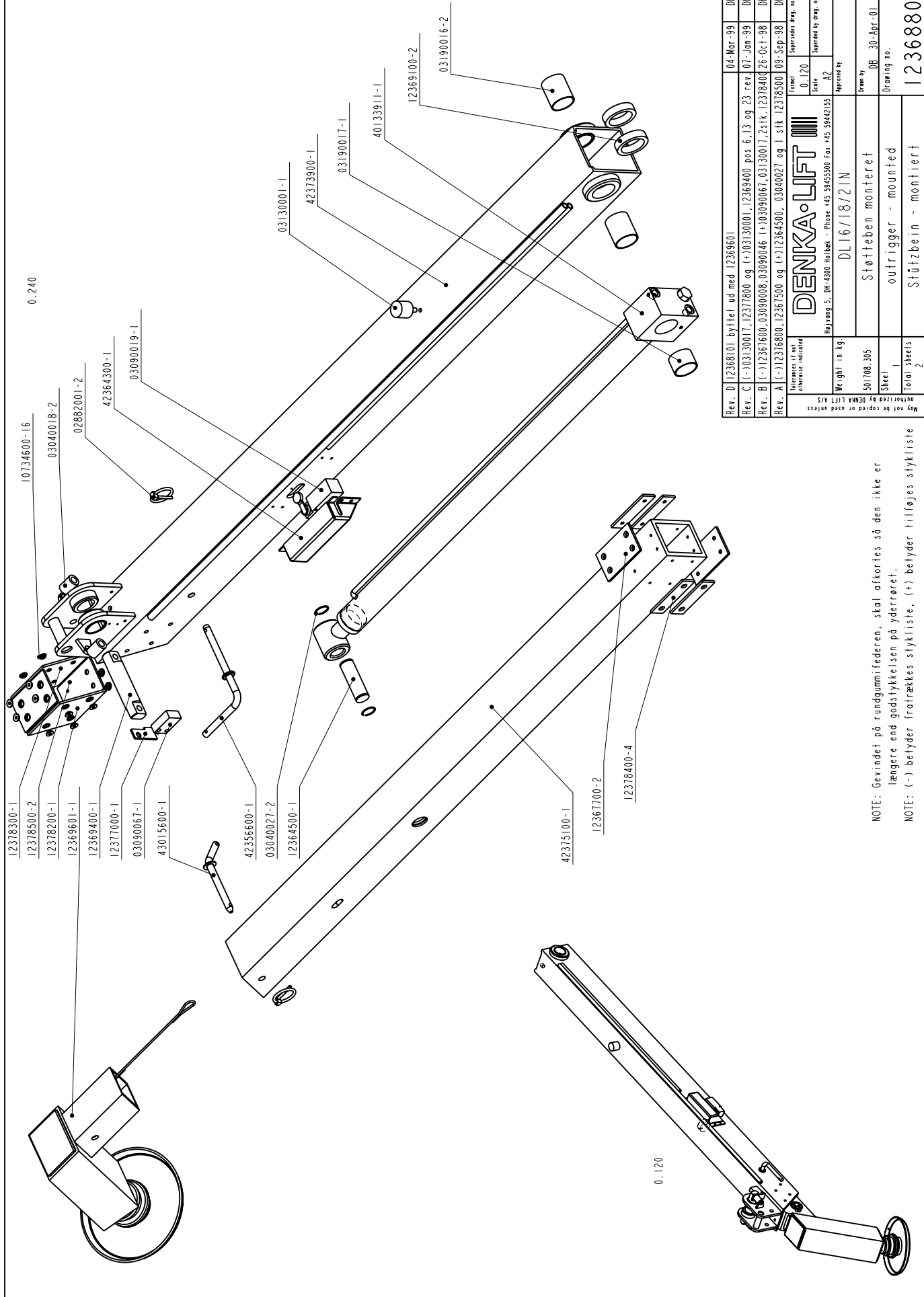
0.400

Tolerances if not otherwise indicated	<b>DENKA-LIFT</b> Hojrup 5, DK-4300 Holbæk - Phone +45 59455500 Fax +45 59442155	Format 0.250	Supersedes drawing no.
Weight in kg 7850.000	DL19/22N	Scale A2	Superseded by drawing no.
Sheet 1	Konsol m. hydromotor u. bremse	Approved by PH 05-Dec-01	
Total sheets 2	Drivesystem out bracke	Drawing no.	
May not be copied or used unless authorized by DENKA LIFT A/S	Selbsfahresys. ohne Bremsen	Drawing no.	12371201



Rev. A   Pos. 4   revideret	29-Oct-98	DB
Tolerance if not otherwise indicated	Formel 0.350	Supersedes drawing no.
	Scale A2	Superseded by drawing no.
	Approved by DKN7	
Weight in kg. 9.365	Drawn by DB_30-Apr-01	
Sheet 1	Drawing no. 12368401	
Total sheets 2	Zugstange - montiert	
DENKA LIFT Holtrup 5, DK-4300 Holtrup - Phone +45 59455500 Fax +45 59442155 authorized by DENKA LIFT A/S		



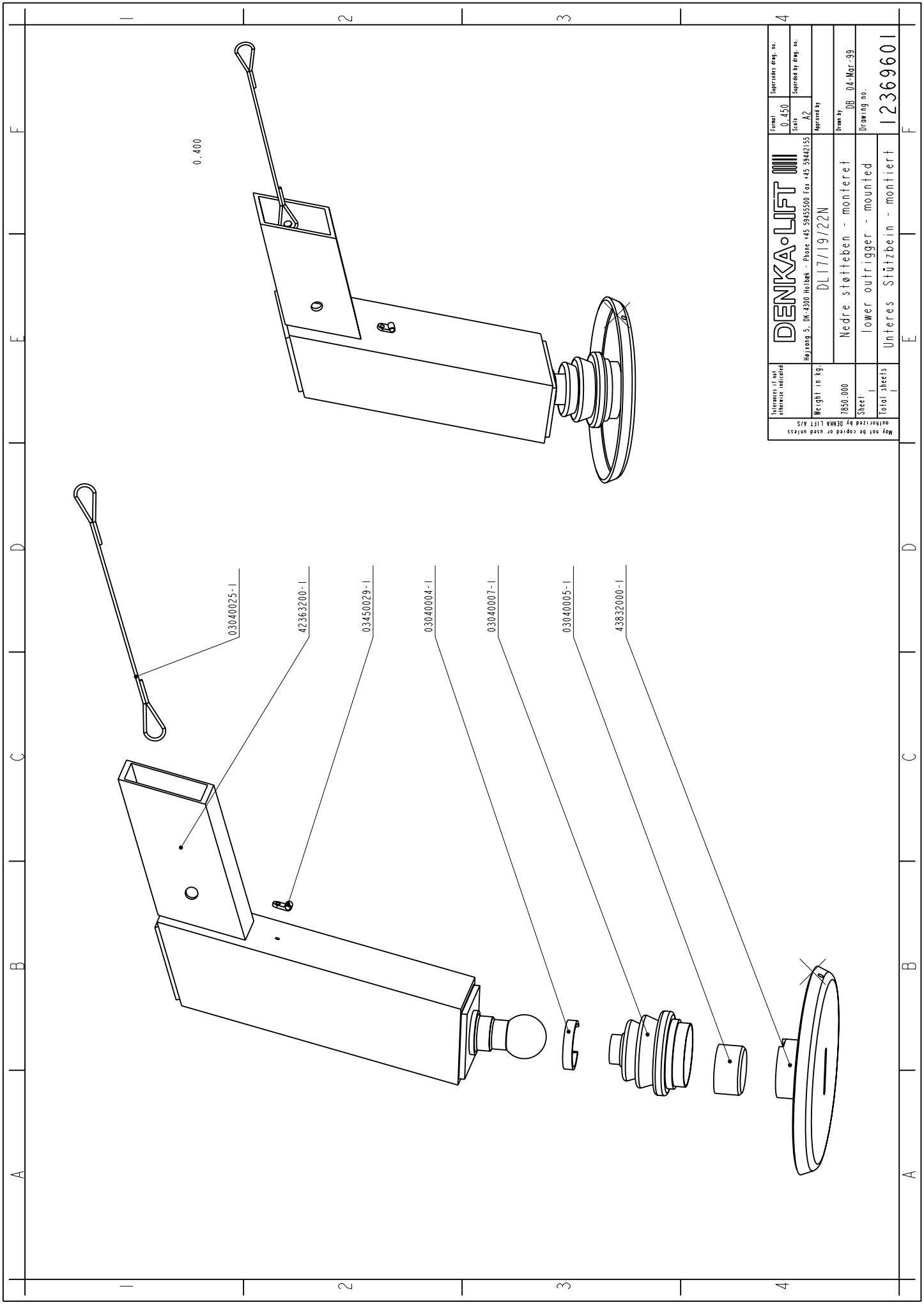


NOTE: Gevindet på rundgummi-federen, skal arkortes så den ikke er længere end godslykkelsen på yderrøret.  
 NOTE: (-) betyder fratrækkes stykliste, (+) betyder tilføjes stykliste

Rev. D 12368101 byttet ud med 12369601	04-Mar-99	DB
Rev. C (-)1237800,1237800 og (+)03130001,12369400 pos 6,13 og 23 rev.07-Jan-99	07-Jan-99	DB
Rev. B (-)12367600,03090008,03090046 (+)03090067,03130017,2stik,12378400,26-Okt-98	26-Okt-98	DB
Rev. A (-)12376800,12367500 og (+)12364500, 03040027 og 1 stik 12378500 09-Sep-98	09-Sep-98	DB
Dimensiones if not otherwise indicated	Format 0.120	Supersedes drawing no.
authorized by DENKA LIFT A/S	Scale A2	Superseded by drawing no.
Weight in kg: 501708.305	Approved by: DL16/18/21N	
Sheet 1	Drawn by: DB	30-Apr-01
Total sheets 2	outtrigger - mounted	Drawing no.
	Støttebein monteret	
	Stützbein - montiert	12368801

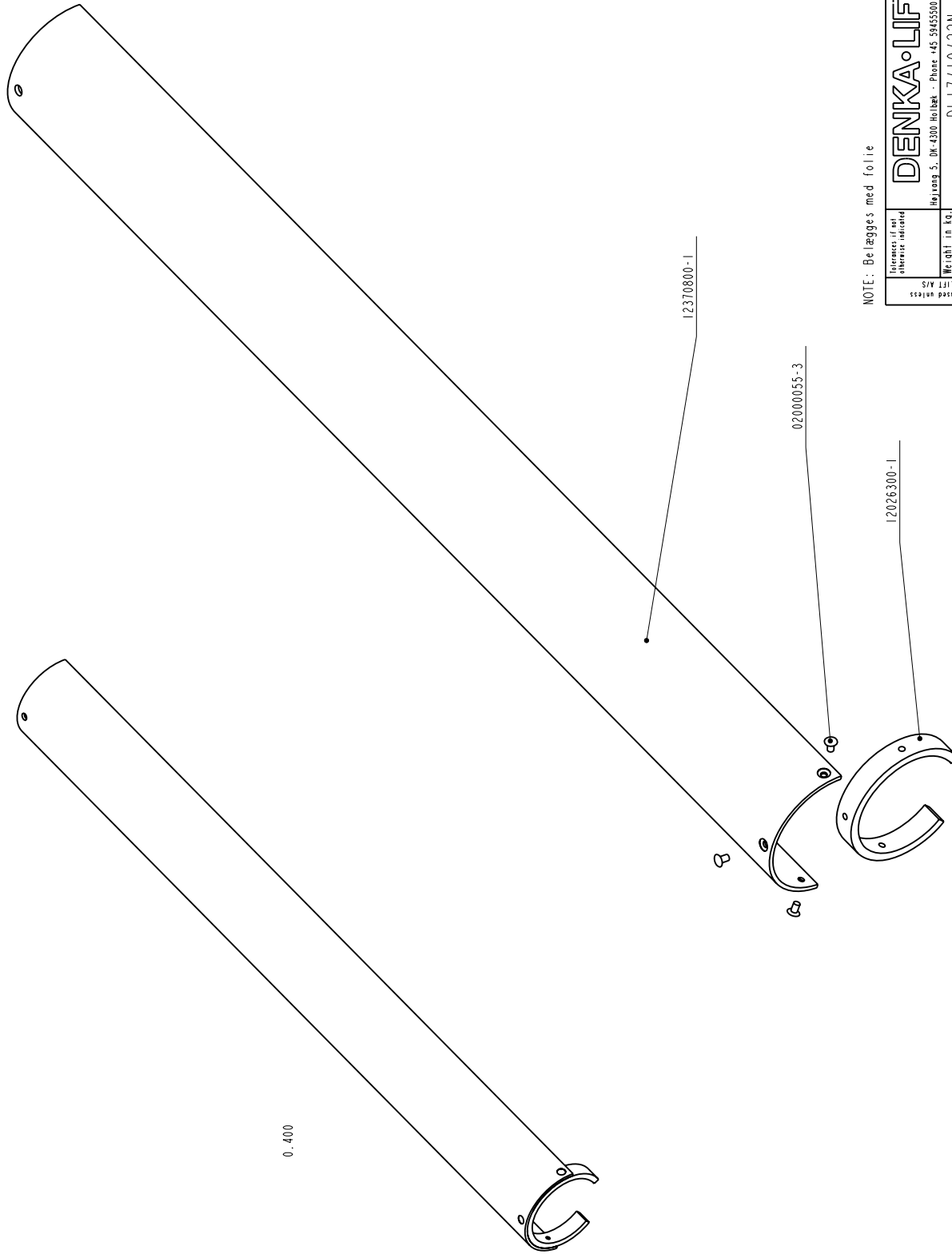


Møltrup 5, DK-4200 Haslev - Phone +45 59455500 Fax +45 59442155



Technical drawing no.	Formel	Supersedes drawing no.
	0.450	
Scale	A2	Supersedes by drawing no.
Approved by		
Weight in kg	DL17/19/22N	
7850.000	Nedre stötteben - monteret	
Sheet	lower outrigger - mounted	
Total sheets	Unteres Stützbein - montiert	
12369601		

7	Wre
6	Wre
5	Legel
4	Monu
3	Gummi
2	Foppl
1	



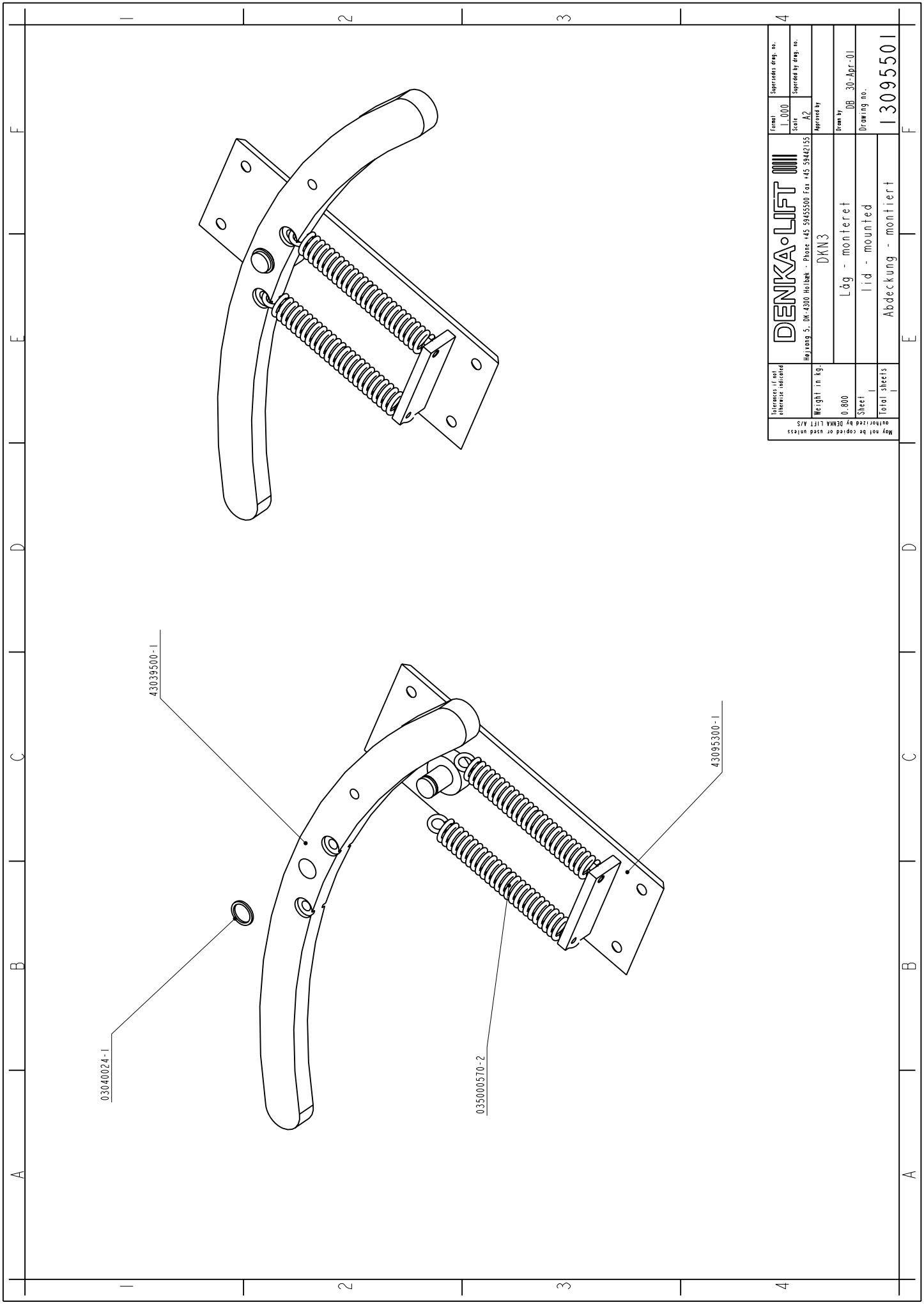
0.400

NOTE: Belægges med folie

Dimensions (if not otherwise indicated)	Formel	Supersedes drawing no.
Weight in kg	0.600	08
7830.000	Scale	Superseded by drawing no.
Sheet	A2	
Total sheets	Approved by	
	DL17/19/22N	
	Drawn by	08
	Skærm for støtteben monteret	08-Mar-00
	cover for outrig. mounted	Drawing no.
	Schrim für Stützbein montiert	42370701

**DENKA-LIFT**  
 Højrang 5, DK-4300 Hvidebø - Phone +45 59455500 Fax +45 59442155  
 DL17/19/22N

May not be copied or used unless authorized by DENKA LIFT A/S

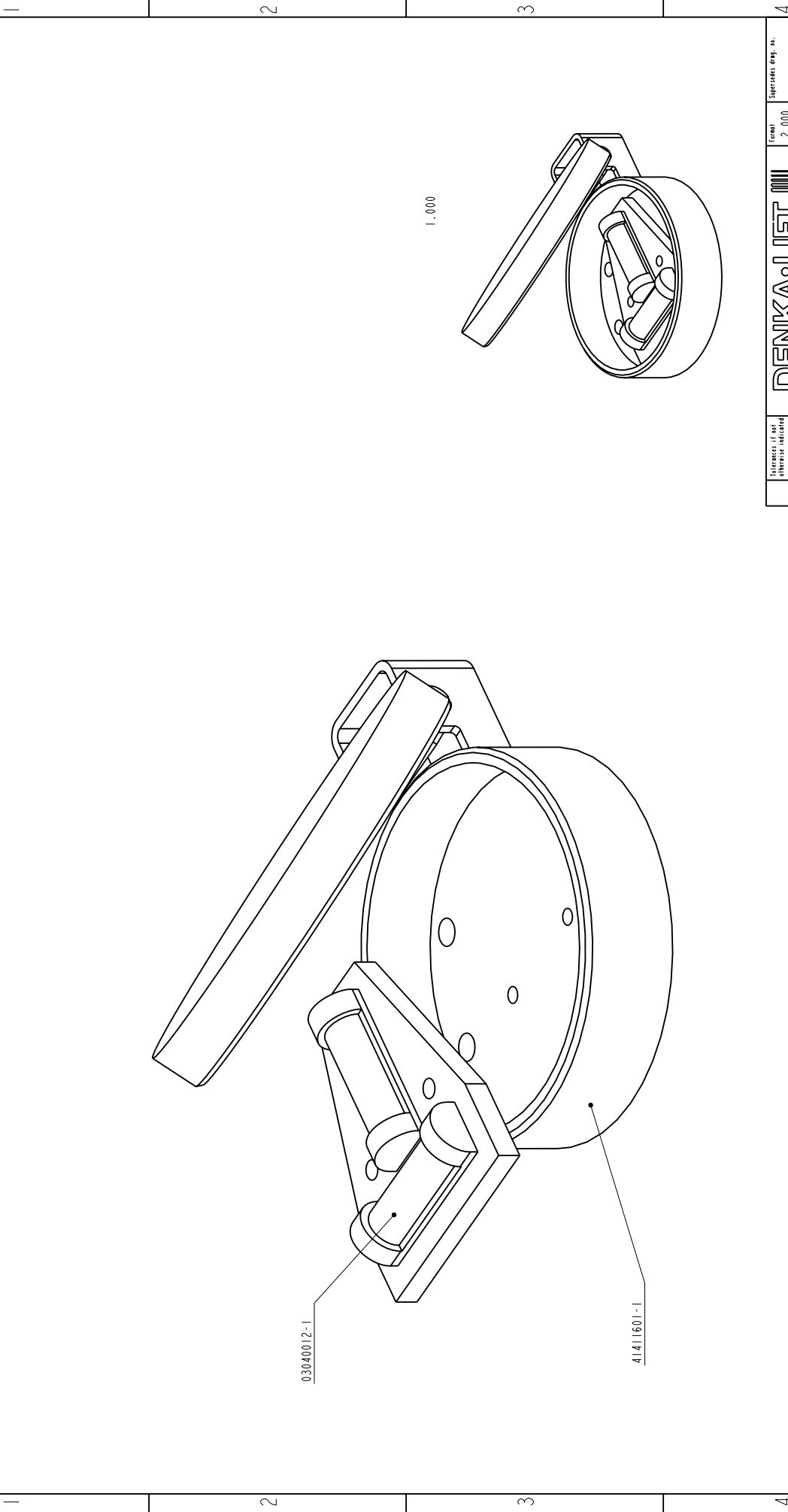


Dimensions if not otherwise indicated	Formel	Supersedes drawing no.
Weight in kg	L 000	Supersedes by drawing no.
0.800	Scale	A2
Sheet	Approved by	
Total sheets	DKN3	
	Drawn by DB_30-Apr-01	
	Drawing no. 13095501	
	Abdeckung - montiert	

**DENKA-LIFT**  
 Holzung 5, DK-4300 Hørbæk - Phone +45 59455500 Fax +45 59442155

May not be copied or used unless authorized by DENKA LIFT A/S

A B C D E F



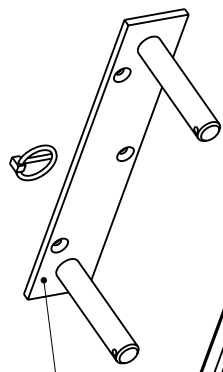
1.000

Dimensions if not otherwise indicated	Formel	Supersedes drawing no.
Weight in kg.	2.000	2000
0.316	Scale	Supersedes by drawing no.
Sheet	A2	DK8
Total sheets	Approved by	
1	DK8	
	Drawn by	
	H0_28-Mar-00	
	Drawing no.	
	12342001	

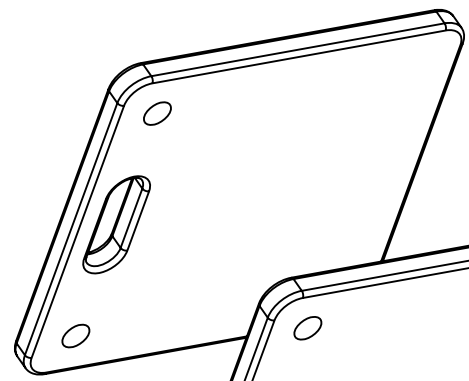
**DENKA-LIFT**  
 Hojrup 5, DK-4300 Hvidebø - Phone +45 59455500 Fax +45 59442155  
 May not be copied or used unless authorized by DENKA LIFT A/S

A B C D E F

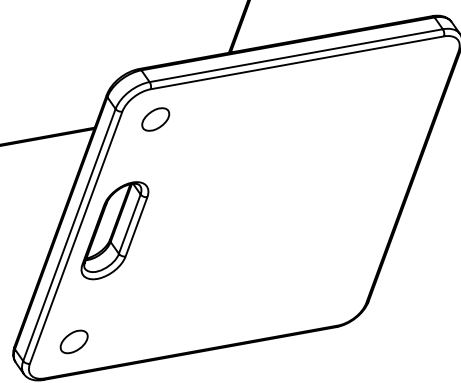
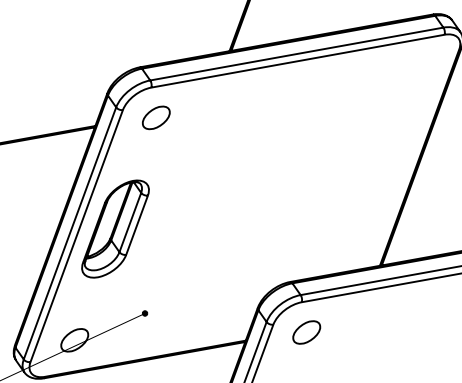
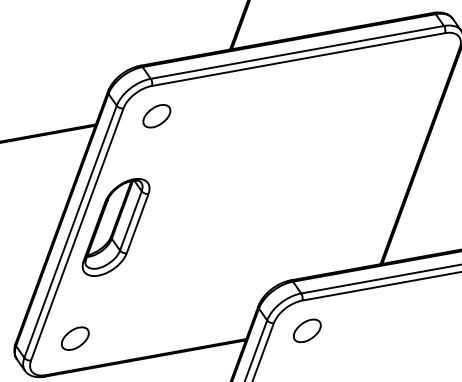
02882001-2



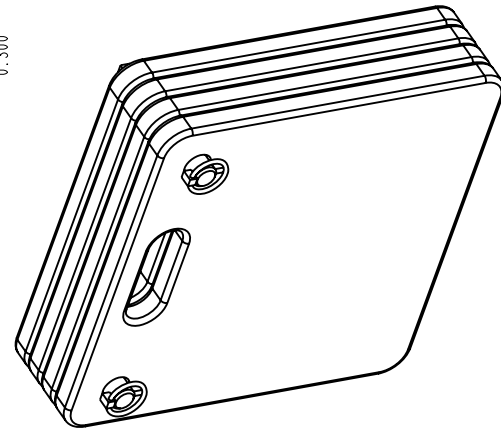
46026920-1



16027720-4



0.300



Dimensions if not otherwise indicated	Formel	Supersedes drawing no.
	0.300	
	Scale	Supersedes by drawing no.
	A2	
	Approved by	
	Komponenter	
Weight in kg:	Fodpladearrangement monteret	
7850.000	Bearing plate set mounted	
Sheet	Bodenplattensatz montiert	
Total sheets	12060401	

**DENKA-LIFT**

Møllegaard 5, DK-4200 Hvidebæk - Phone: +45 59455500 Fax: +45 59442155

Drawn by: DB

Date: 13-Dec-00

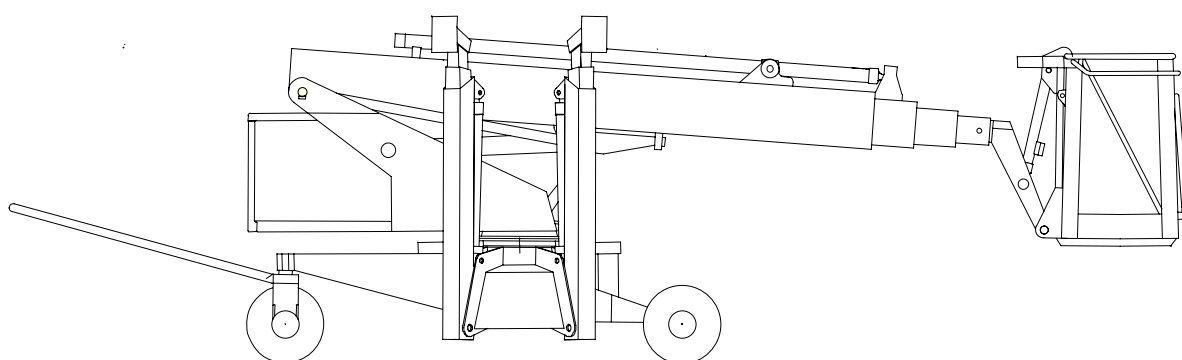
Drawing no.: 12060401

May not be copied or used unless authorized by DENKA LIFT A/S

**RESERVEDELS-  
KATALOG**

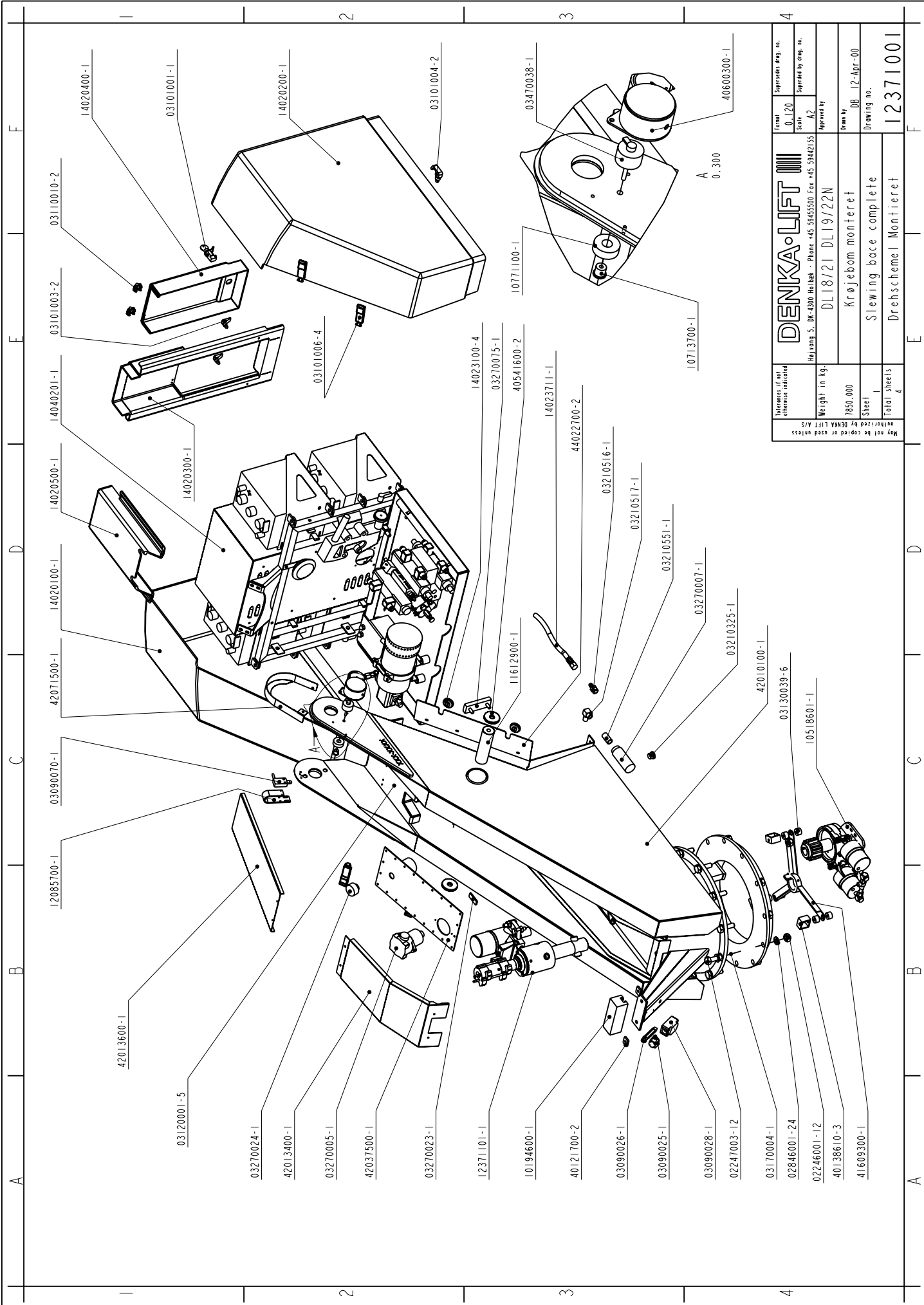
**SPARE PARTS  
CATALOGUE**

**ERSATZTEILS-  
KATALOG**



**KRØJEBOM  
SLEWING BOOM  
DREHSCHEMEL**

Version – 07.2004

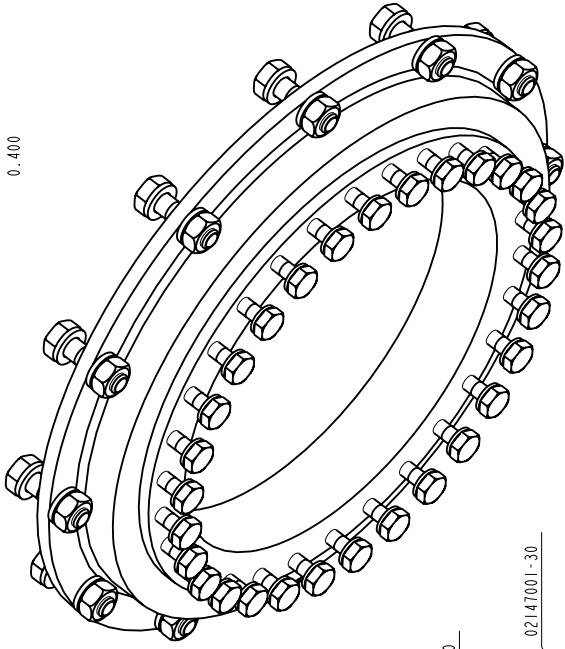


Differences if not otherwise indicated	Formel	Supersedes drawing no.
	0.120	
Weight in kg	Scale	Supersedes by drawing no.
	7850.000	A2
Sheet	Approved by	
	DL18721 DL19722N	
Total sheets	Drawn by	
	DB 12-Apr-00	
Authorized by DENKA LIFT A/S	Drawing no.	
	12371001	

12085700-1  
 03090070-1  
 42071500-1  
 14020100-1  
 14020500-1  
 14040201-1  
 03101003-2  
 03110010-2  
 14020400-1  
 03101001-1  
 14020200-1  
 03101004-2  
 03101006-4  
 14023100-4  
 03270075-1  
 40541600-2  
 10771100-1  
 03470038-1  
 40600300-1  
 10713700-1  
 14023711-1  
 44022700-2  
 11612900-1  
 03210516-1  
 03210517-1  
 03210551-1  
 03270007-1  
 03210325-1  
 42010100-1  
 42013600-1  
 03120001-5  
 03270024-1  
 42013400-1  
 03270005-1  
 42037500-1  
 03270023-1  
 12371101-1  
 10194600-1  
 40121700-2  
 03090026-1  
 03090025-1  
 03090028-1  
 02247003-12  
 03170004-1  
 02846001-24  
 02246001-12  
 40138610-3  
 41609300-1  
 03130039-6  
 10518601-1



0.400



03170004-1

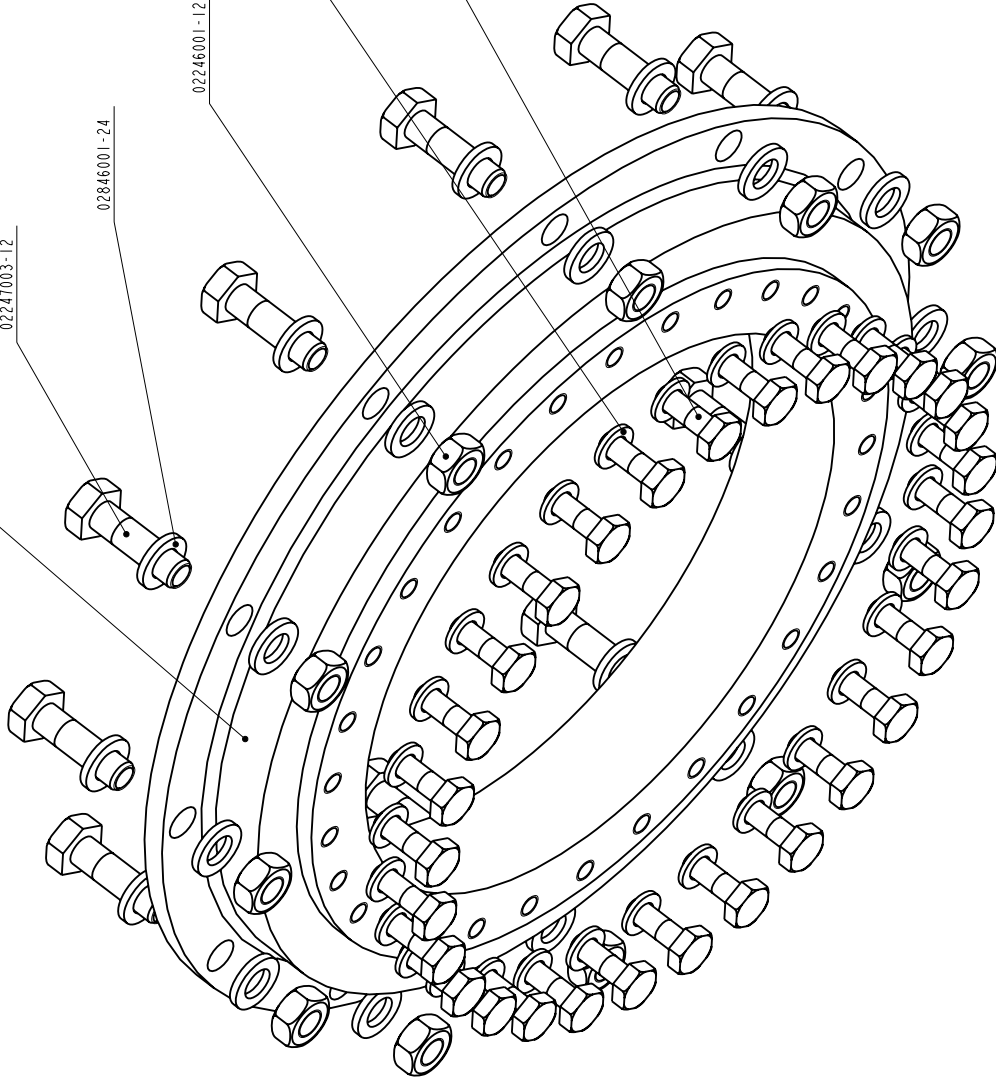
02247003-12

02846001-24

02246001-12

02816001-30

02147001-30



Differences if not otherwise indicated	Formel	Supersedes drawing no.
	Scale	Supersedes by drawing no.
DS 2168-1 m	0.600	A2
Weight in kg	Approved by	
7850.000	Drejekrans monteret	
Sheet	Drejekrans monteret	
Total sheets	Slewing ring, mounted	
	Drehkranz montiert	
	11616101	

May not be copied or used unless authorized by DENKA LIFT A/S

**DENKA LIFT**

Wellingstorreise af drejekrans

Drejekrans monteret

Slewing ring, mounted

Drehkranz montiert

11616101

DS 2168-1 m

Weight in kg

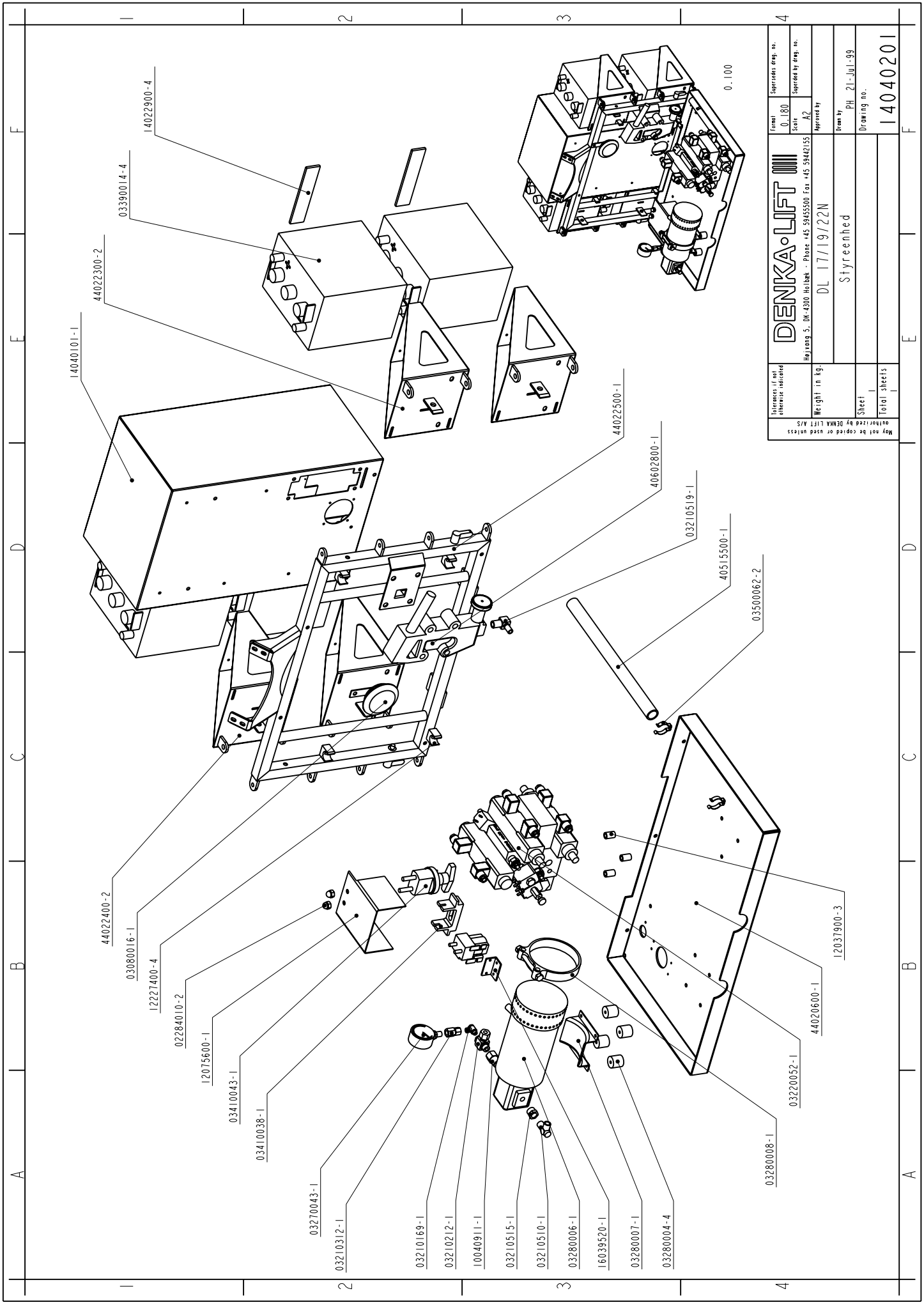
7850.000

Sheet

Total sheets

11616101

May not be copied or used unless authorized by DENKA LIFT A/S



14040101-1

44022300-2

03390014-4

14022900-4

44022400-2

03080016-1

12227400-4

02284010-2

12075600-1

03410043-1

03410038-1

03270043-1

03210312-1

03210169-1

03210212-1

10040911-1

03210515-1

03210510-1

03280006-1

16039520-1

03280007-1

03280004-4

44022500-1

40602800-1

03210519-1

40515500-1

0:100

03500062-2

03280008-1

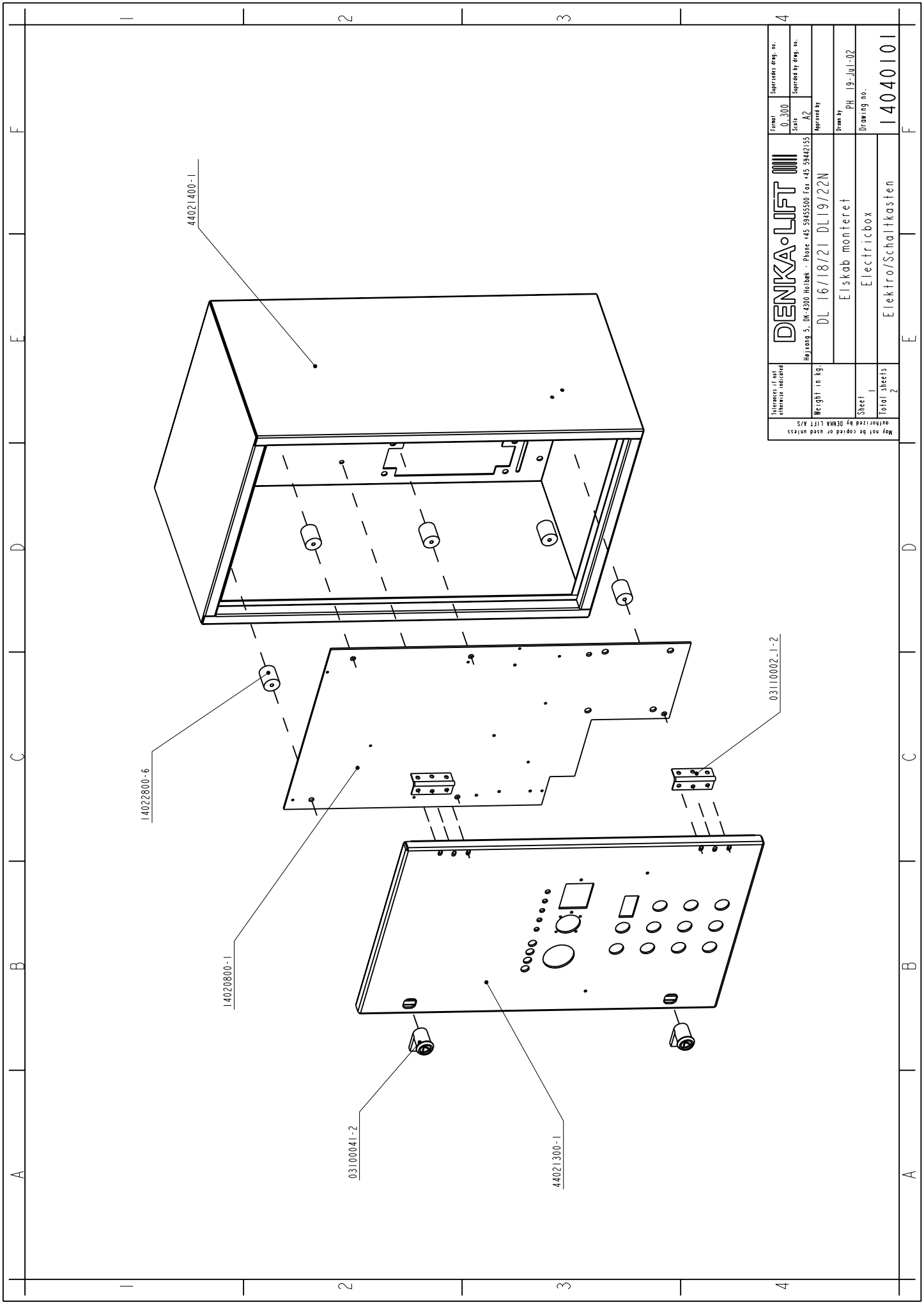
03220052-1

44020600-1

12037900-3

**DENKA-LIFT**

Dimensions (if not otherwise indicated)	Weight in kg:	DL 17/19/22N	
Authorized by DENKA LIFT A/S	Sheet	Styrenhed	
	Total sheets	1	
		PH 21-Jul-99	
		Drawing no.	
		14040201	
Formel	Scale	Approved by	Drawn by
0:180	A2		PH 21-Jul-99
Supersedes drawing no.	Supersedes by drawing no.		
Mojirup 5, DK-4300 Hørbæk - Phone +45 59455500 Fax +45 59442155			



Dimensions (if not otherwise indicated)	Weight in kg:	Model	Supersedes drawing no.
		0-300	0-300
		Scale	Scale
		A2	A2
		Approved by	Approved by
		DL 16/18/21 DLI9/22N	DL 16/18/21 DLI9/22N
		Elskab monteret	Elskab monteret
		Electricbox	Electricbox
		Electro/Schaltkasten	Electro/Schaltkasten
Sheet		Drawn by	PH 19-Juli-02
Total sheets		Drawing no.	14040101

May not be copied or used unless authorized by DENKA LIFT A/S

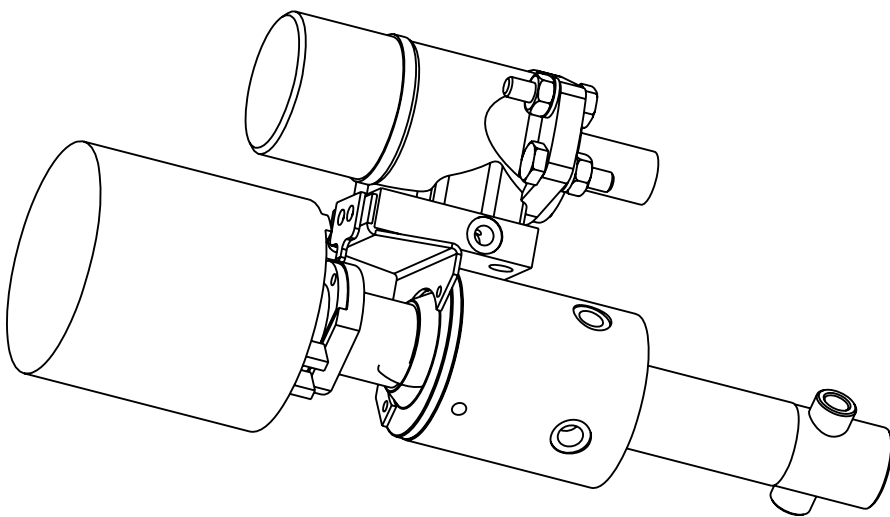
DL 16/18/21 DLI9/22N

Elskab monteret

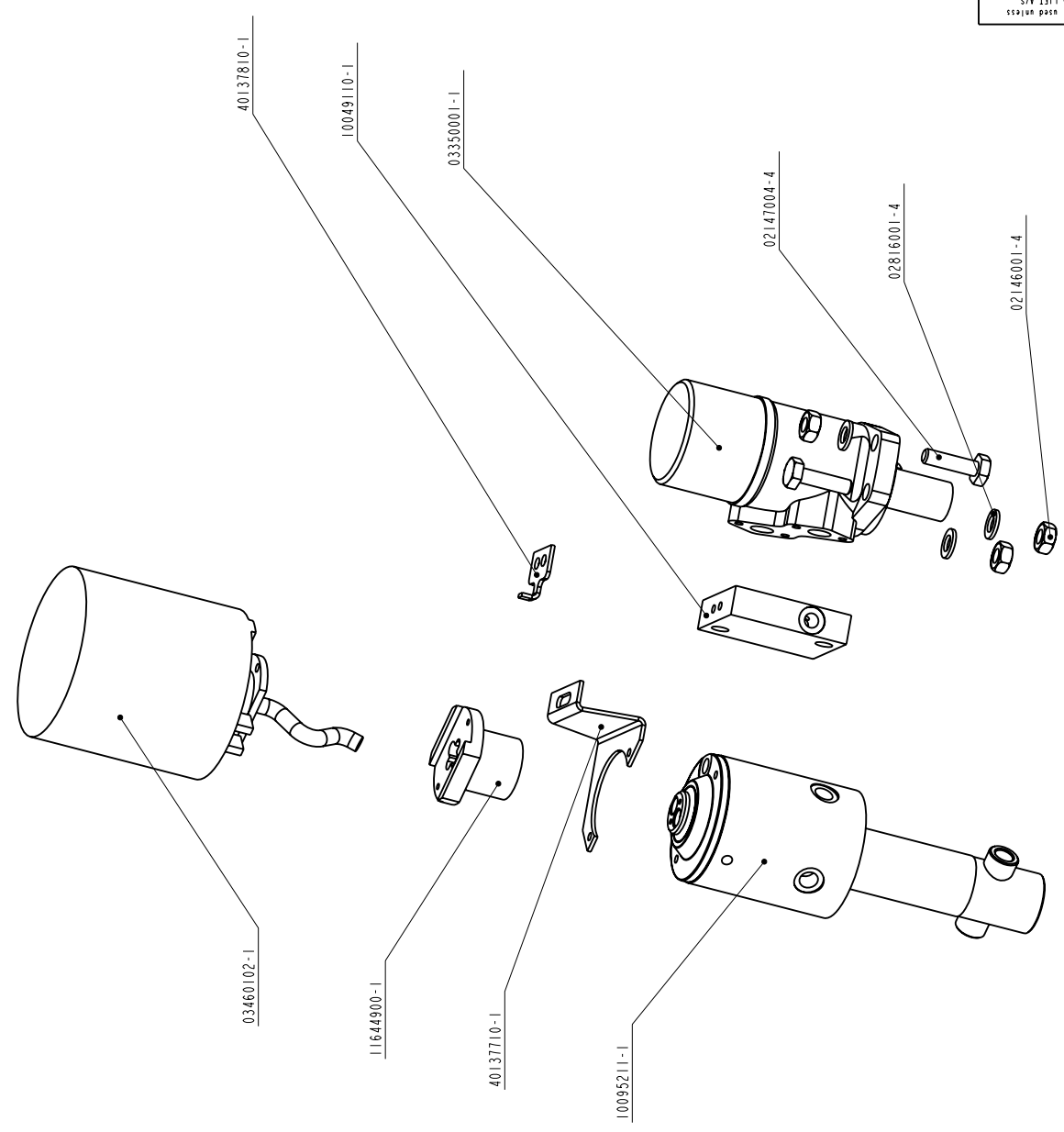
Electricbox

Electro/Schaltkasten

14040101



0.500



40137810-1

10049110-1

03350001-1

02147004-4

02816001-4

02146001-4

0.400

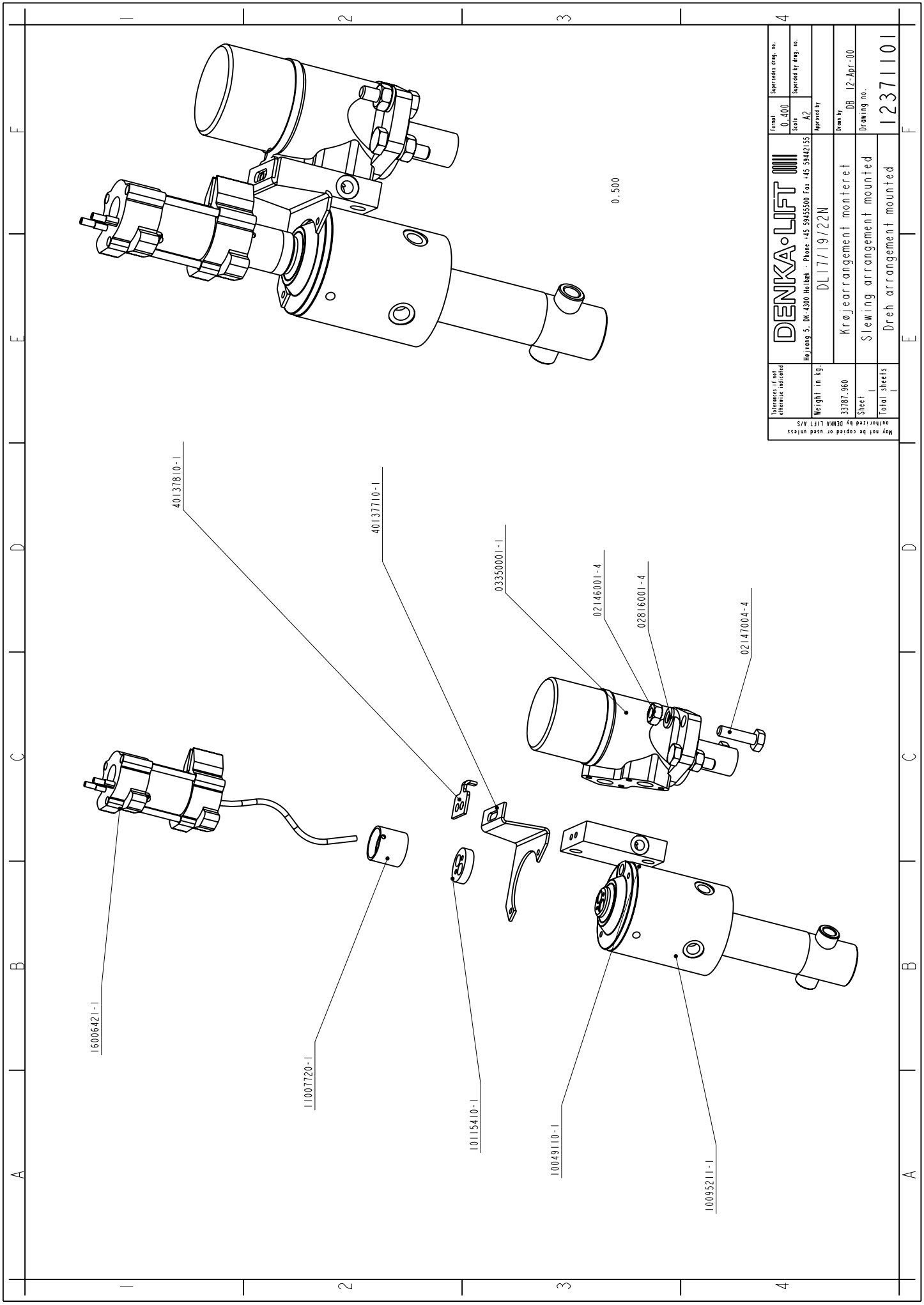
03460102-1

11644900-1

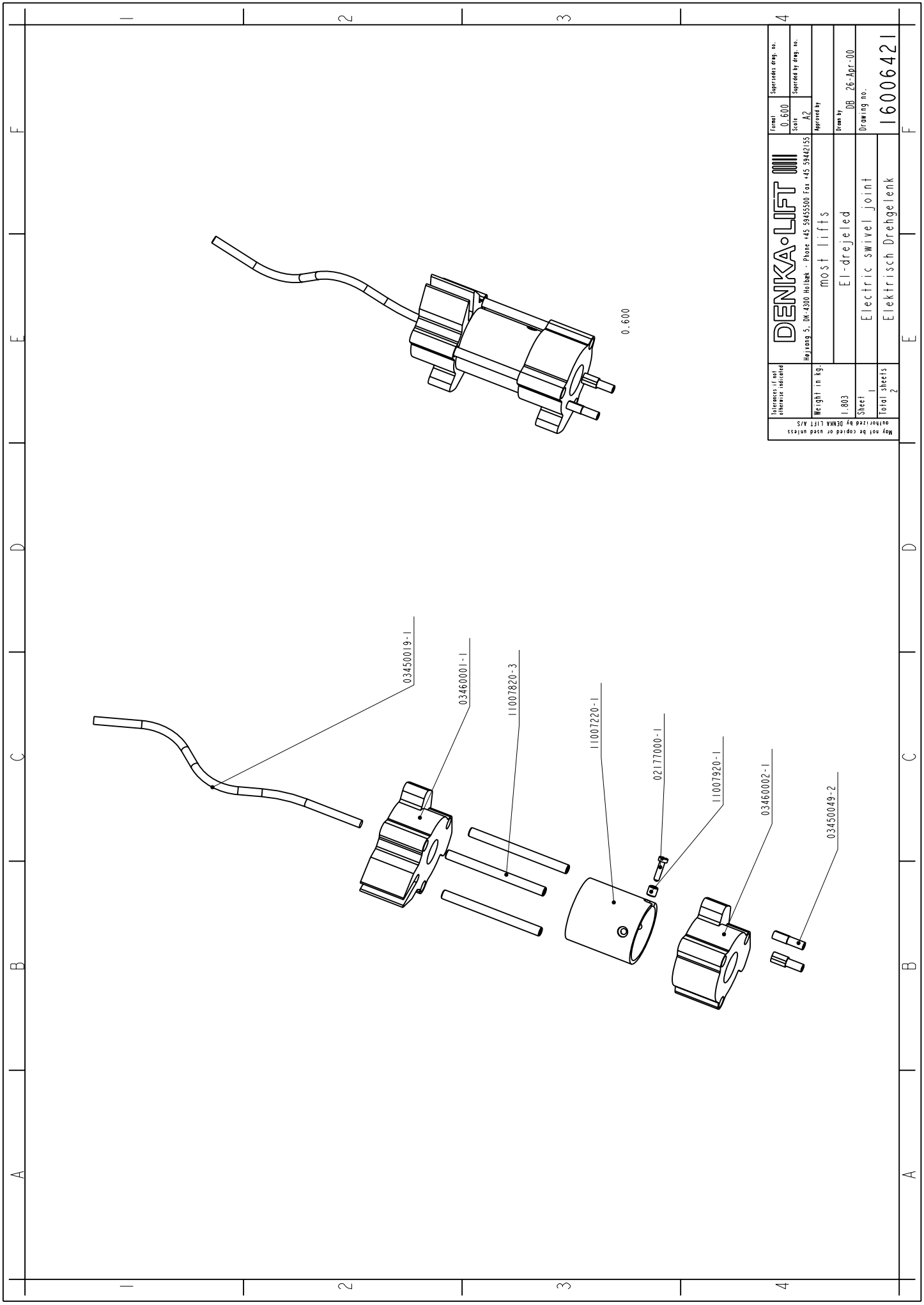
40137710-1

10095211-1

Dimensions (if not otherwise indicated)	Weight in kg 33387.960	<b>DENKA-LIFT</b> Højvang 5, DK-4200 Hvidebø - Phone: +45 59465500 Fax: +45 59462155 DL17/19/22N		Formel 0.400	Supersedes drawing no.
Authorized by DENKA LIFT A/S	Sheet 1	Krøjearrangement monteret Slewing arrangement mounted Dreh arrangement mounted		Scale A2	Superseded by drawing no.
	Total sheets 1	DL17/19/22N		Approved by DB	
		11616001		Drawn by DB	12-Apr-00
		11616001		Drawing no.	

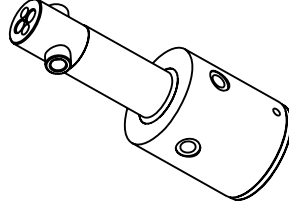
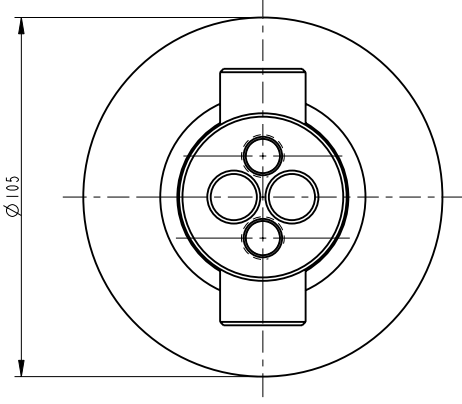
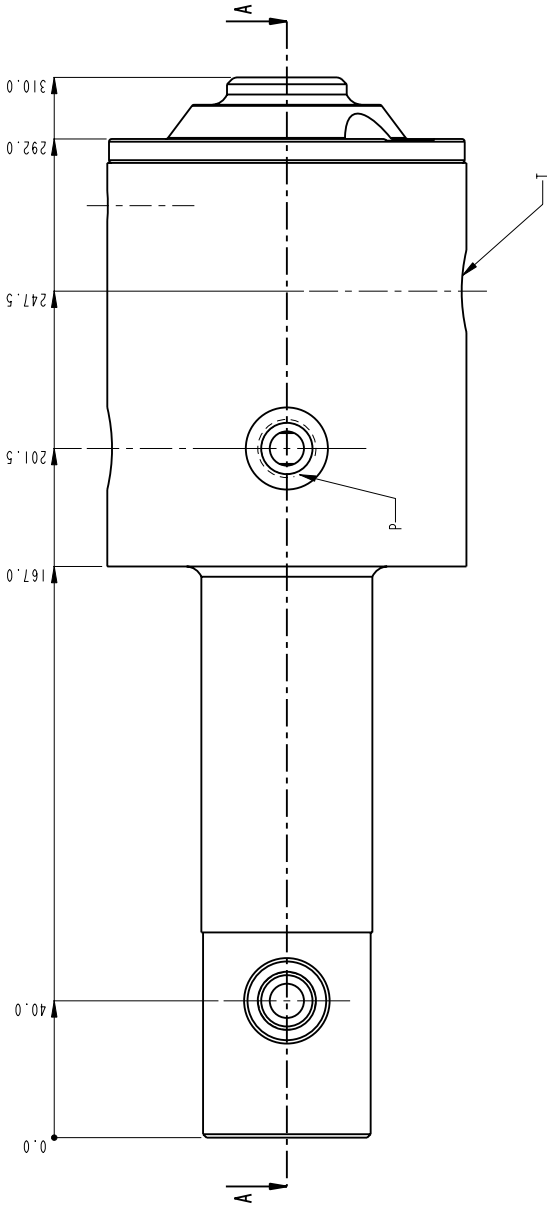


Dimensions (if not otherwise indicated)	Weight in kg: 33787.960	Sheet 1	Total sheets 1
<p style="text-align: center;">May not be copied or used unless authorized by DENKA LIFT A/S</p>			
<b>DENKA-LIFT</b>			
Højvang 5, DK-4300 Hvidebø - Phone: +45 59465500 Fax: +45 59462155 DL1719722N			
Formel 0.400	Scale A2	Approved by	
Supersedes drawing no.	Supersedes by drawing no.	Drawn by DB	
Krogearrangement monteret		Drawing no. 12371101	
Slewing arrangement mounted		Dreh arrangement mounted	



Dimensions (if not otherwise indicated)	Weight in kg:	DENKA LIFT		Formel	Supersedes drawing no.
		MOST LIFTS		0.600	
		El-drejeled		Scale	Supersedes by drawing no.
		Electric swivel joint		A2	
		Elektrisch Drehgelenk		Approved by	
		Total sheets		Drawn by	DB_26-Apr-00
		2		Drawing no.	
		16006421			

May not be copied or used unless authorized by DENKA LIFT A/S



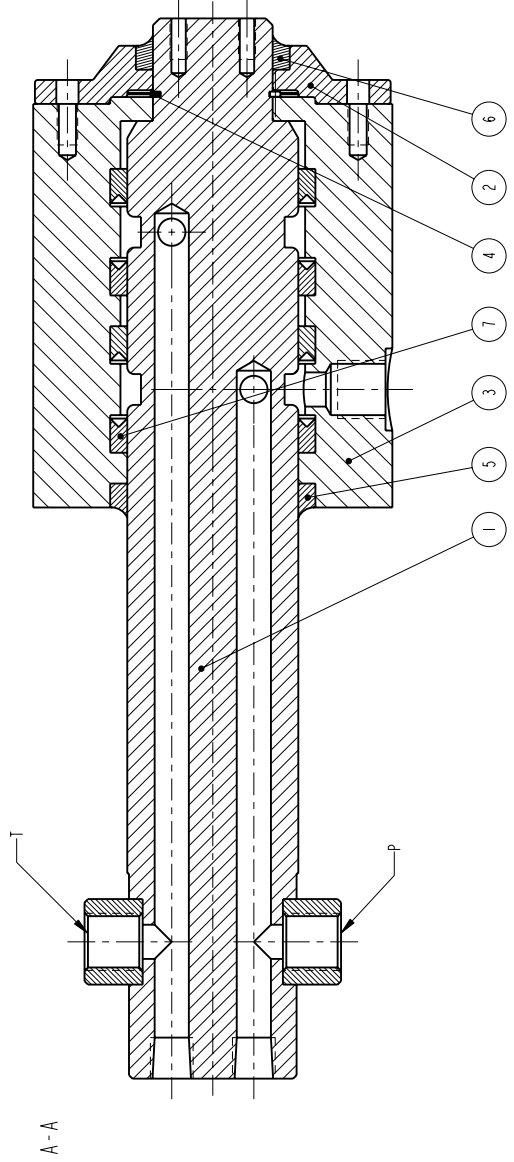
0.300

NOTE: Porte mærkes

Item	Subject	No.	Quality	Standard	Id. no.	Weight
7	PANNING NI 300 50-60-10 H 06 S	4			03295145	0.007
6	Pakn. og 35-45-7-10	1			03295052	0.005
5	PANN AS 50-60-7-10	1			03295054	0.005
4	Løsering udr. 35x1.5 A2	1			02497005	0.003
3	Hus f. hydr. drejehjed	01303007	1	6060 T6	EN 755-2	1.946
2	Deksel for hydrauliskdrejehjed	01303007	1	6060 T6	EN 755-2	0.167
1	Aksel f. hydro. drejehjed st.	1			10050310	3.453

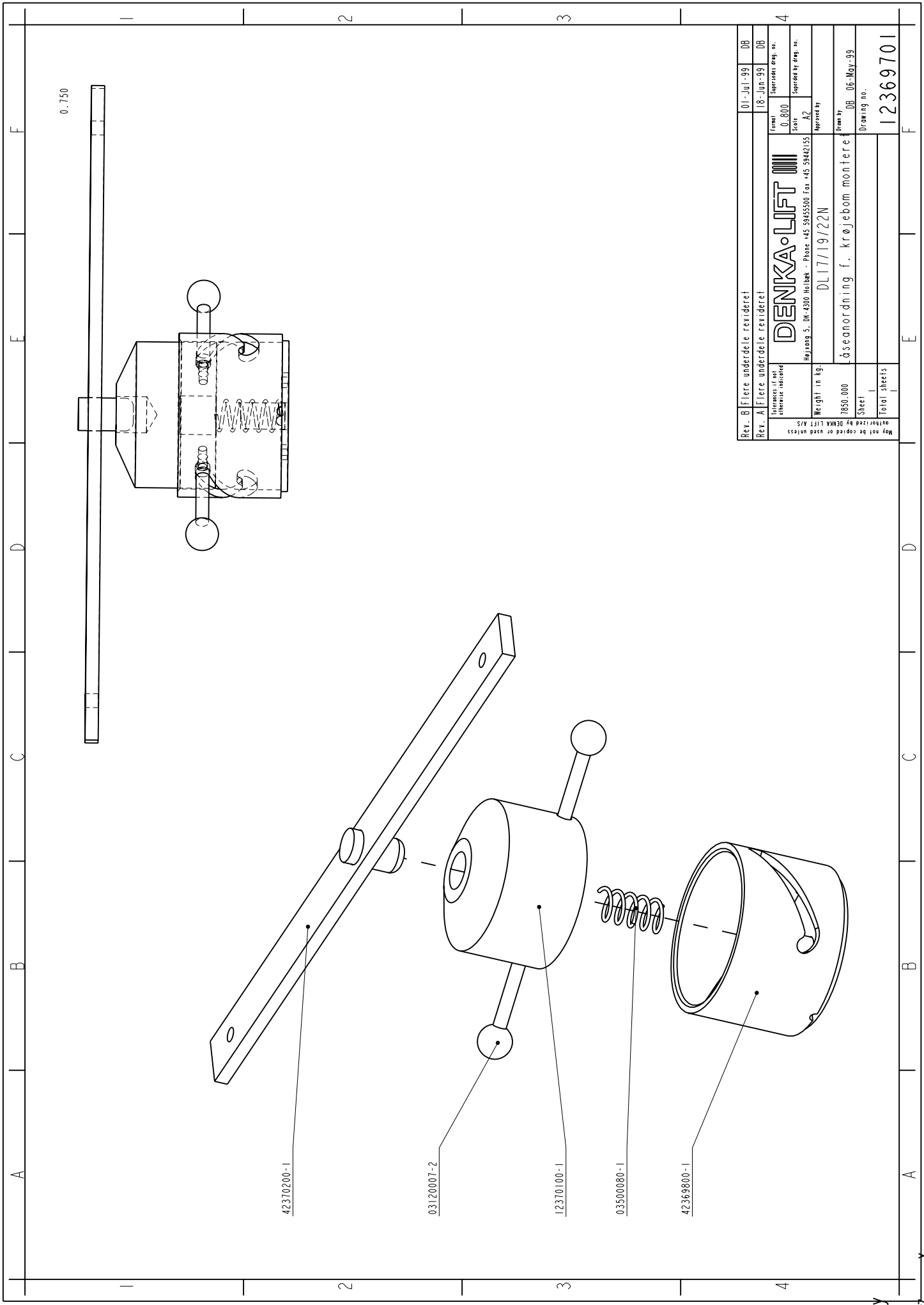
  

Tolerances if not otherwise indicated	Scale	1:1.000	Supersedes drawing no.	
	Formal	A2	Supersedes by drawing no.	
Weight in kg.	Approved by			
	Møjløng S., DK-4200 Høsbæk - Phone: +45 59455500 Fax: +45 59442155			
Weight in kg.		DK4/DK7		Drawn by: DB
5.611		Hydraulisk drejehjed monteret		Drawing no.: 10095211



A-A

May not be copied or used unless authorized by DENKA LIFT A/S



0.750

42310200-1

03120007-2

12370100-1

03500080-1

42369800-1

Rev. B	Fiere underdele revideret	DB	01-Jul-99
Rev. A	Fiere underdele revideret	DB	18-Jun-99
Tolerance if not otherwise indicated	0.800		
Scale	A2		
Approved by	DL17/1972N		
Weight in kg.	7850.000		
Sheet	øseanordning f. krøgebom monteret		
Total sheets	12369701		

**DENKA-LIFT**

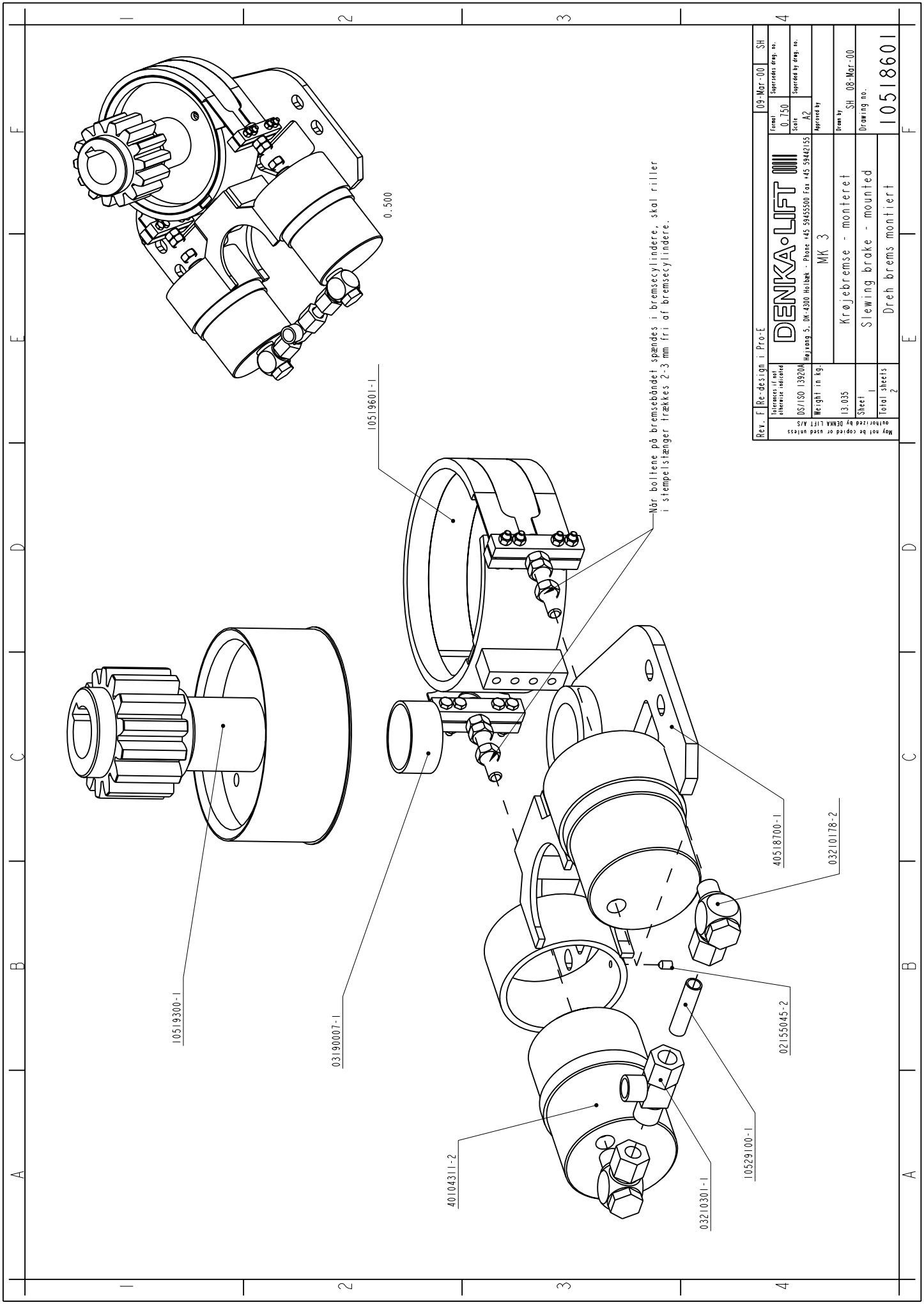
Møllegaard 5, DK-4300 Hvidebæk - Phone: +45 59455500 Fax: +45 59442155

Drawn by: DB 06-May-99

Drawing no.: 12369701

May not be copied or used unless authorized by DENKA LIFT A/S

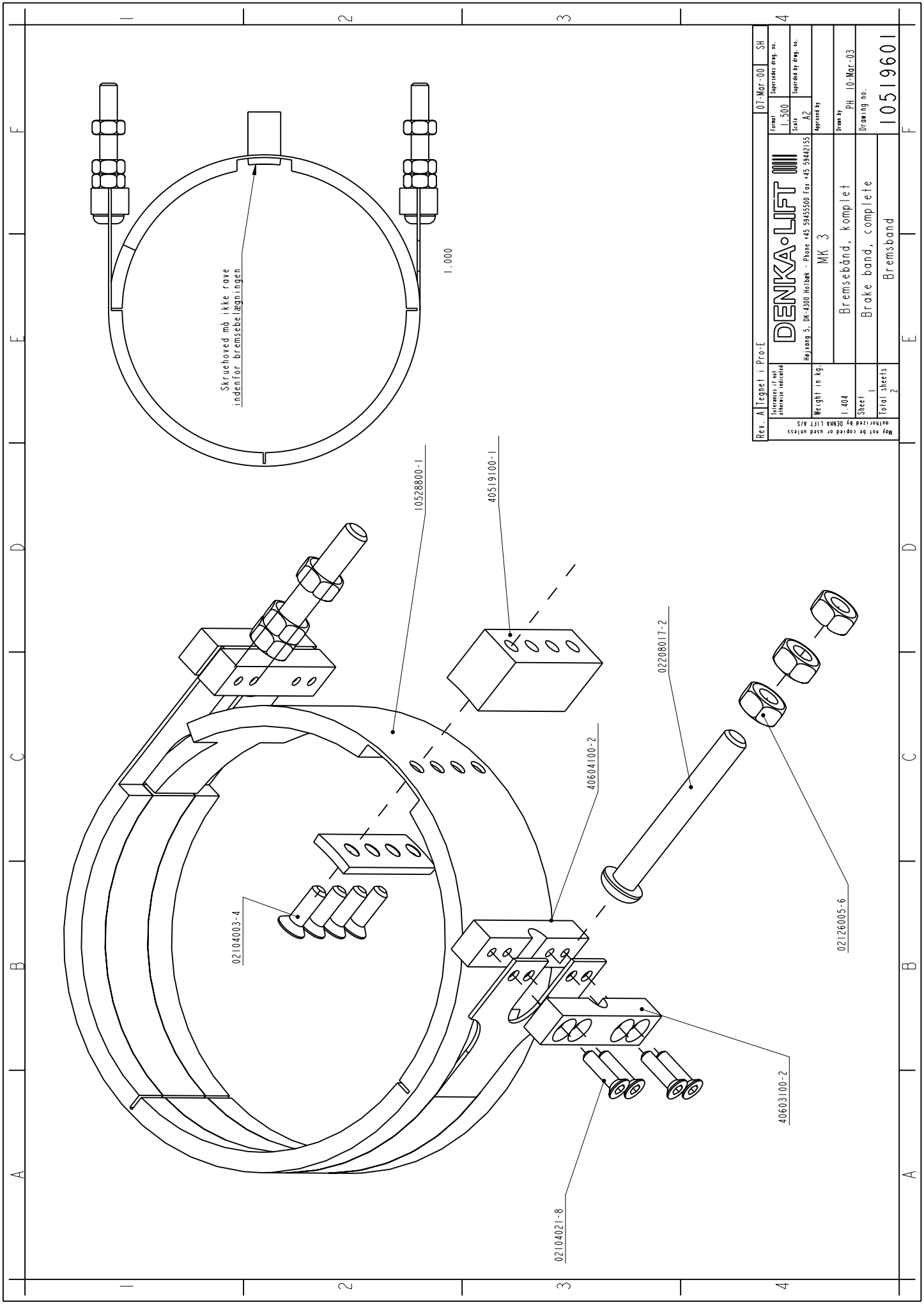




Rev. F	Re-design i Pro-E	09-Mar-00	SH
Tolerance if not otherwise indicated	0.750	Supersedes drawing no.	
Scale	A2	Supersedes drawing no.	
Weight in kg.	13.035	Approved by	
Sheet	1	Drawn by SH 08-Mar-00	
Total sheets	2	Drawing no.	
Authorized by DENKA LIFT A/S		10518601	

**DENKA-LIFT**

Møltrup 5, DK-4300 Hvidebæk - Phone +45 59455500 Fax +45 59442155  
 MK 3  
 Krøjløbremse - monteret  
 Slewing brake - mounted  
 Drehbrems montiert



Rev. A	Tegnet i Pro-E	07-Mar-00	SH
Intercess if not otherwise indicated	Formel	1:500	Supersedes drawing no.
	Scale	A2	Superseded by drawing no.
	Weight in kg	MK 3	Approved by
	Sheet	Bremseband, komplet	Drawn by PH 10-Mar-03
	Total sheets	Brake band, complete	Drawing no.
		Bremseband	10519601

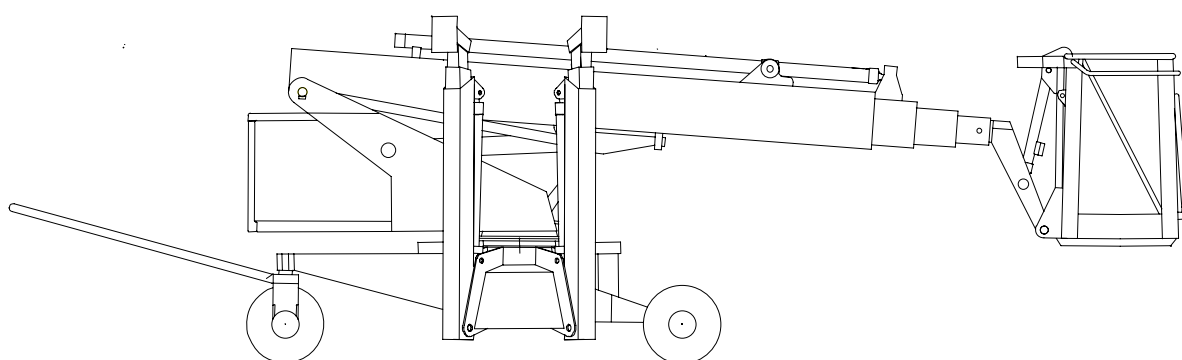
May not be copied or used unless authorized by DENKA LIFT A/S

Hoist no. 5, DK-4300 Høbbæk - Phone +45 59455500 Fax +45 59442155

**RESERVEDELS-  
KATALOG**

**SPARE PARTS  
CATALOGUE**

**ERSATZTEILS-  
KATALOG**



**DL19N – MK22**

**DL22N – MK24**

**BOM**

**BOOM**

**AUSLEGER**

**Version – 07.2004**



***Boom section***

***MK22 Boom***

***DL19N***

---

**MK22-01a Boom section 1**

**MK22-02a Boom section 2**

**MK22-03a Boom section 3**

**MK22-04a Boom section 4**

**MK22-05a Boom assembled**



Plate MK22-01a B      ecti    1			Rev nr Rev.1	Date 13-07-95
Item. no	Art. no	Description	Note	
1	12043702	Boom section 1 MK21, std. type		
1	12044302	Boom section 1 MK22, std. type		
2	10726300	Guiding list		
3	10816500	Guiding list, 40x8x1000		
3	10915800	Guiding list, 40x8x1500		
5	10716100	Press nut M6		
6	10725600	Slide shoe, A2		
7	10776600	Liner f. slide shoe		
8	10727800	Screw CH A2 M10x17		
9	40810600	Chain fittings (2x3)		
10	02889012	Cylindric pin, 8x50mm		
11	10817402	Chain MK21		
11	10917302	Chain MK22		
12	10716200	Flat-cable lock, sect. 1, MK4		
13	02107007	Screw CH A2 M6x25		
14	02818004	Washer A2 M6		
15	03450151	Pilot cable, flat 27m 28 cond.	MK21	
15	03450153	Pilot cable, flat 29m 28 cond.	MK22	
16	10719300	Spacer f. Cable lock 6200		
17	10771800	Lock tube f. cable lock		
18	10722500	Slide plate, non-fric		
19	02174005	Screw UH A2 M8x16		
20	10016922			
21	02107009	Screw CH A2 M6x12		
22	02107009	Screw CH A2 M6x12		
23	02107024	Screw CH A2 M10x25		
24	02244000	Screw UH A2 M6x13		
40	02107040	Screw CH A2 M6x14		
41	42042200	Cover f. flat cable l=1100mm		
42	40913800	Cover f. flat cable l=600mm		
43	42042800	Cover f. flat cable l=910mm	MK21	
43	42042300	Cover f. flat cable l=1360mm	MK22	
44	02107005	Screw CH A2 M6x16		
45	10810200	Cylind. carriage, sect.1 MK5/6		
46	40813800	Coverage, angul. f. flat cable		
47	42042100	Cover f. flat cable		
49	02107006	Screw CH A2 M6x20		
51	40711400	Chain adjuster		
52	10714400	Axle		
53	02497002	Circlip, ø20x1.2 A2		

Plate MK22-01a B      ecti    1			Rev nr Rev.1	Date 13-07-95
Item. no	Art. no	Description	Note	
54	02100029	Screw CH FZB M12x80		
55	03500012	Disc spring, 28x12.2x1.00		
56	02100027	Screw CH FZB M12x60		
57	03500011	Disc spring, 28x12.2x1.00		
58	10917100	Stud bolt M12x250		
61	02115006	Nut 8 FZB M12		
62	03090018	Llimit switch, XCK-P510		
63	02821001	Washer FZB M4		
64	02151005	Screw UH 4.8 FZB M4x30		
65	02818003	Washer A2 M5		
66	02177002	Screw UH A2 M5x10		
67	16008620			
68	02157001	Screw CH 4.8 FZB M4x10		
69	02889009	Cylindric pin, 8x32mm		
70	40721600	Chain fittings (3x3)m.M4		
70	40726500	Chain fittings (3x3) u.M4		
71	02155012	Grub screw A2 M5x10		
72	10817302	Chain MK21		
72	10917202	Chain MK22		
73	40810500	Chain buckle		
74	14000820	Guard		
75	02107029	Screw CH A2 M12x25		
76	10810300	Flange f. boom cyl. fixture		
77	02107029	Screw CH A2 M12x25		
78	02107029	Screw CH A2 M12x25		
79	02818010	Washer A2 M20		
58	10816600	Stud bolt M12x320		





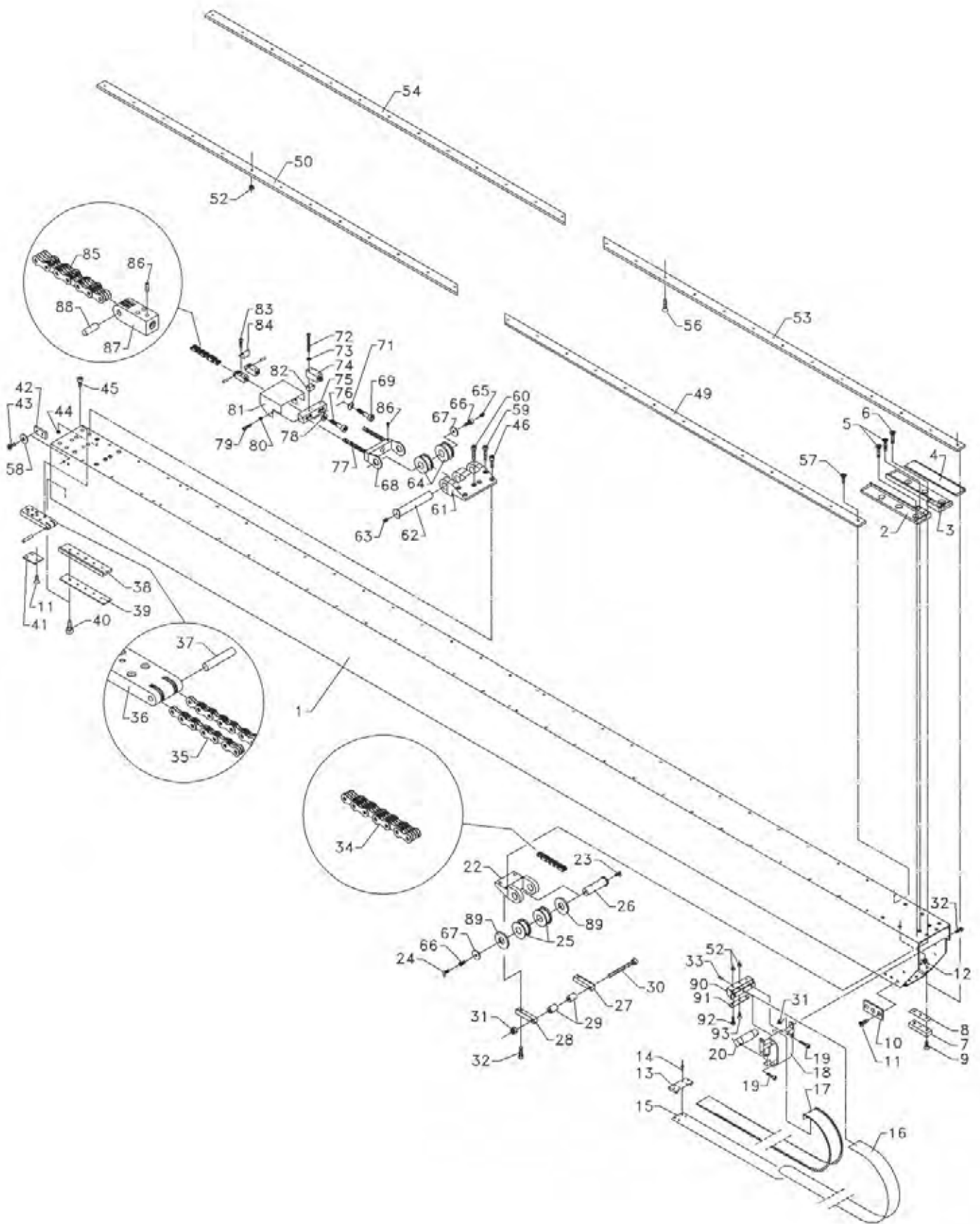


Plate MK22-02a B      ecti    2			Rev nr Rev.1	Date 13-07-95
Item. no	Art. no	Description	Note	
14	02000070	Tubular rivet 4.0x11 CAP		
15	10822700			
15	10921700			
16	03450151	Pilot cable, flat 27m 28 cond.	MK21	
16	03450153	Pilot cable, flat 29m 28 cond.	MK22	
17	10821200			
17	10920200			
18	10822400	Side bedding		
19	02107008	Screw CH A2 M6x30		
20	10821400			
22	10720900	Chain roller bracket		
23	03500004	Grease nipple,, 1/8"RG 90 Gr.		
24	03500000	Grease nipple, 6mm 90gr		
25	10730500	Chain roller		
26	10742900	Axle f. chain roller		
27	10722600			
28	10725200			
29	10722200	Chain roller		
30	02127038	Screw A2 M6x120		
31	02199004	Lock nut A2 M6		
32	02107007	Screw CH A2 M6x25		
33	02896001			
34	10817302	Chain MK21		
34	10917402	Chain MK22	Gammel hængslet model	
35	10824102	Chain MK21		
35	10922902	Chain MK22		
36	40721700	Chain fittings, MK21		
37	02889012	Cylindric pin, 8x50mm		
38	10732300	Slide shoe, A2		
39	10716900	Liner f. slide shoe		
40	10727800	Screw CH A2 M10x17		
41	10722500	Slide plate, non-fric		
42	10016922			
43	02107009	Screw CH A2 M6x12		
44	10722700	Press nut M12 - 4.5		
45	02107033	Screw CH A2 M12x45		
46	02107031	Screw CH A2 M12x35		
49	10733600	Guiding list		
50	10823500	Guiding list, 35x8x1000		
50	10922100	Guiding list, 35x8x1500		
52	10716100	Press nut M6		

Plate MK22-02a B      ecti    2			Rev nr Rev.1	Date 13-07-95
Item. no	Art. no	Description	Note	
53	10726300	Guiding list		
54	10915800	Guiding list, 40x8x1500		
54	10816500	Guiding list, 40x8x1000		
56	02174005	Screw UH A2 M8x16		
57	02244113	Screw UH A2 M6x14		
58	02818004	Washer A2 M6		
59	02107033	Screw CH A2 M12x45		
60	02107032	Screw CH A2 M12x40		
61	10730800	Chain roller bracket		
62	10732900	Axle f. chain roller		
63	03500002	Grease nipple, 1/8"RG		
64	10730900	Chain roller		
65	03500006	Grease nipple, 6mm H1A		
66	10721900	Lubrication screw, M10		
67	10722000	Washer, ø40x11x5mm		
68	40731000	Chain adjuster		
69	02100030	Screw CH FZB M12x90		
71	03500012	Disc spring, 28x12.2x1.00		
72	02151005	Screw UH 4.8 FZB M4x30		
73	02821001	Washer FZB M4		
74	03090018	Llimit switch, XCK-P510		
75	40732000	Chain buckle, sect. 3		
76	02100026	Screw CH FZB M12x55		
77	10728000	Stud bolt M12x135		
78	03500011	Disc spring, 28x12.2x1.00		
79	02157008	Screw CH 4.8 FZB M5x10		
80	02818003	Washer A2 M5		
81	13002420	Guard		
82	16008820			
83	02157001	Screw CH 4.8 FZB M4x10		
84	10004220			
85	10824002	Chain MK21		
85	10922802	Chain MK22		
86	02155012	Grub screw A2 M5x10		
87	40730700	Chain fittings (4x5) m M4		
87	40733200	Chain fittings (4x5) u M4		
88	02889008	Cylindric pin, 8x28mm		
89	10820300	Spacer chain roller bracket		
90	10822600	Clamp		
91	10822500			

Plate MK22-02a B      ecti    2			Rev nr Rev.1	Date 13-07-95
Item. no	Art. no	Description	Note	
92	02107005	Screw CH A2 M6x16		
93	02244007	Screw UH A2 M6x16		
1	10922602	Boom section 2 MK22, std. type		
1	10823902	Boom section 2 MK21, std. type		
2	10822900	Fixture f. slide face		
3	10820200	Fixture f. slide face		
4	40730300	Slide face, 07303		
5	02244029	Screw UH A2 M12x40		
6	02244030	Screw UH A2 M12x50		
7	10820700			
8	10724600	liner		
9	02244018	Screw UH A2 M8x25		
10	10722400	Guide plate, non-fric		
11	02244017	Screw UH A2 M8x20		
12	02199007	Lock nut A2 M12		
13	10920700			
36	40820400	Chain fittings, MK22		

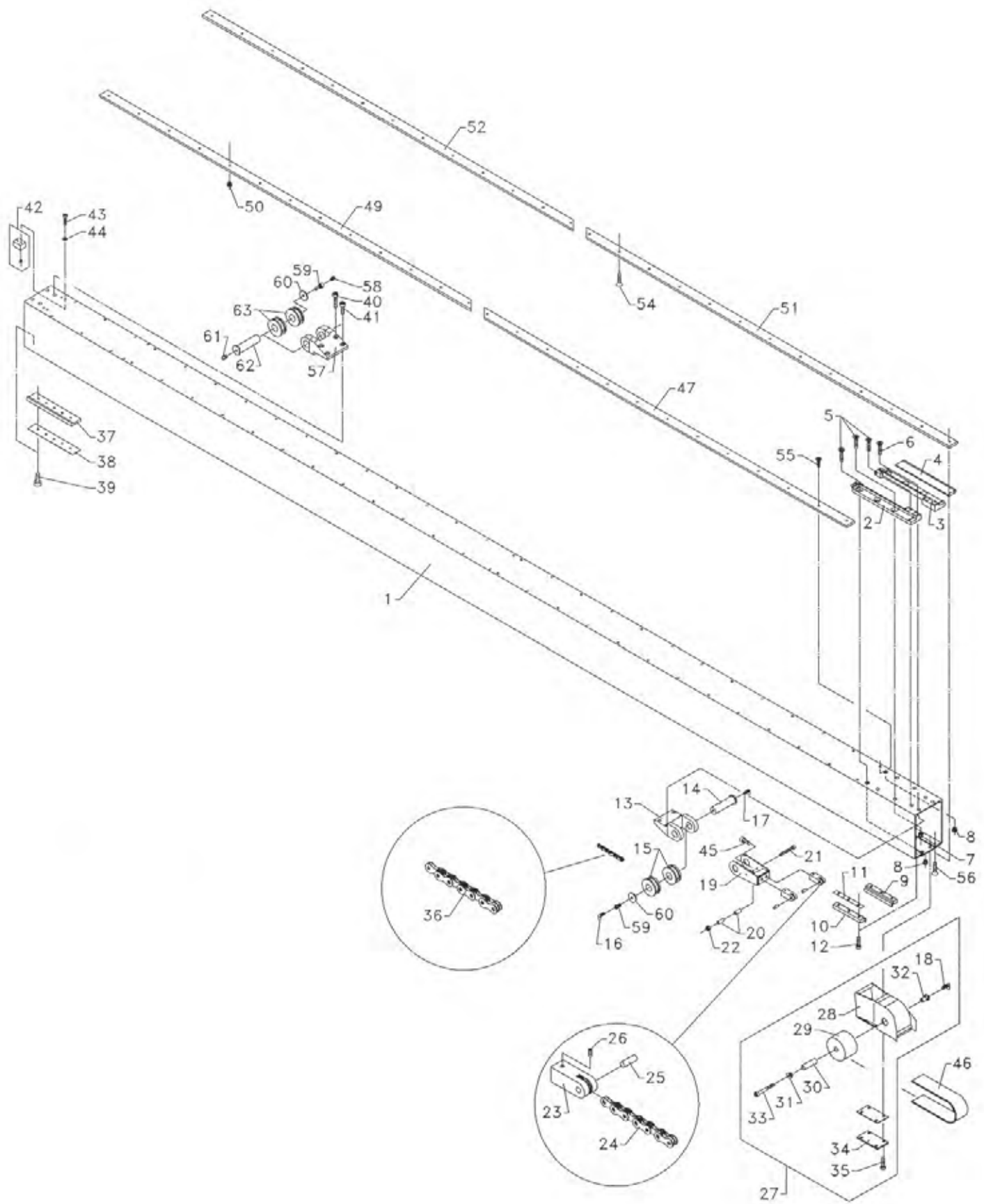


Plate MK22-03a B      ecti    3			Rev nr Rev.1	Date 13-07-95
Item. no	Art. no	Description	Note	
1	10830101	Boom section 3 MK21, std. type		
1	10930101	Boom section 3 MK22, std. type		
2	40743100	Fixture 07431 f. slide face		
3	40740200	Fixture 07402 f. slide face		
4	40740300	Slide face, 07403		
5	02244029	Screw UH A2 M12x40		
6	02244030	Screw UH A2 M12x50		
7	02199007	Lock nut A2 M12		
8	10722700	Press nut M12 - 4.5		
9	10743300	Slide shoe, 07433 L		
10	10741700	Slide shoe, 07417 R		
11	10741800			
12	02244008	Screw UH A2 M6x20		
13	10740400	Chain roller bracket		
14	10742800	Axle f. chain roller		
15	10740500	Chain roller		
16	03500000	Grease nipple, 6mm 90gr		
17	03500004	Grease nipple,, 1/8"RG 90 Gr.		
18	03500027	Grease nipple, M8 H3 90 degr.		
19	40740600	Chain adjuster		
20	10743000	Chain roller		
21	02127028	Screw A2 M6x80		
22	02126004	Nut A2 M6		
23	40740700	Chain fittings (2x3) u.M4		
24	10917302	Chain MK22		
24	10817402	Chain MK21		
25	02989001			
26	02155012	Grub screw A2 M5x10		
27	10741101			
28	10741200			
29	10724100			
30	40724200	Axle		
31	10724400	Bushing		
32	10724300	Bushing		
33	02244035	Screw UH A2 M8x60		
34	10741600			
35	02244018	Screw UH A2 M8x25		
36	10824102	Chain MK21		
36	10922902	Chain MK22		
37	10742300	Slide shoe, A2		

Plate MK22-03a B      ecti    3			Rev nr Rev.1	Date 13-07-95
Item. no	Art. no	Description	Note	
38	10776700	Liner f. slide shoe		
39	02107022	Screw CH A2 M10x16		
40	02107033	Screw CH A2 M12x45		
41	02107004	Screw CH A2 M6x10		
42	10744700	Slide plate, non-fric		
43	02107007	Screw CH A2 M6x25		
44	02818004	Washer A2 M6		
45	02100026	Screw CH FZB M12x55		
46	03450151	Pilot cable, flat 27m 28 cond.	MK21	
46	03450153	Pilot cable, flat 29m 28 cond.	MK22	
47	10743600	Guiding list		
49	10831000	Guiding list, 30x8x1000		
49	10930500	Guiding list, 30x8x1500		
50	10716100	Press nut M6		
51	10733600	Guiding list		
52	10823500	Guiding list, 35x8x1000		
52	10922100	Guiding list, 35x8x1500		
54	02174005	Screw UH A2 M8x16		
55	02244000	Screw UH A2 M6x13		
56	02174005	Screw UH A2 M8x16		
57	10740800	Chain roller bracket		
58	03500026	Grease nipple, M8 H1		
59	10721900	Lubrication screw, M10		
60	10722000	Washer, ø40x11x5mm		
61	03500002	Grease nipple, 1/8"RG		
62	10742900	Axle f. chain roller		
63	10721000	Chain roller		





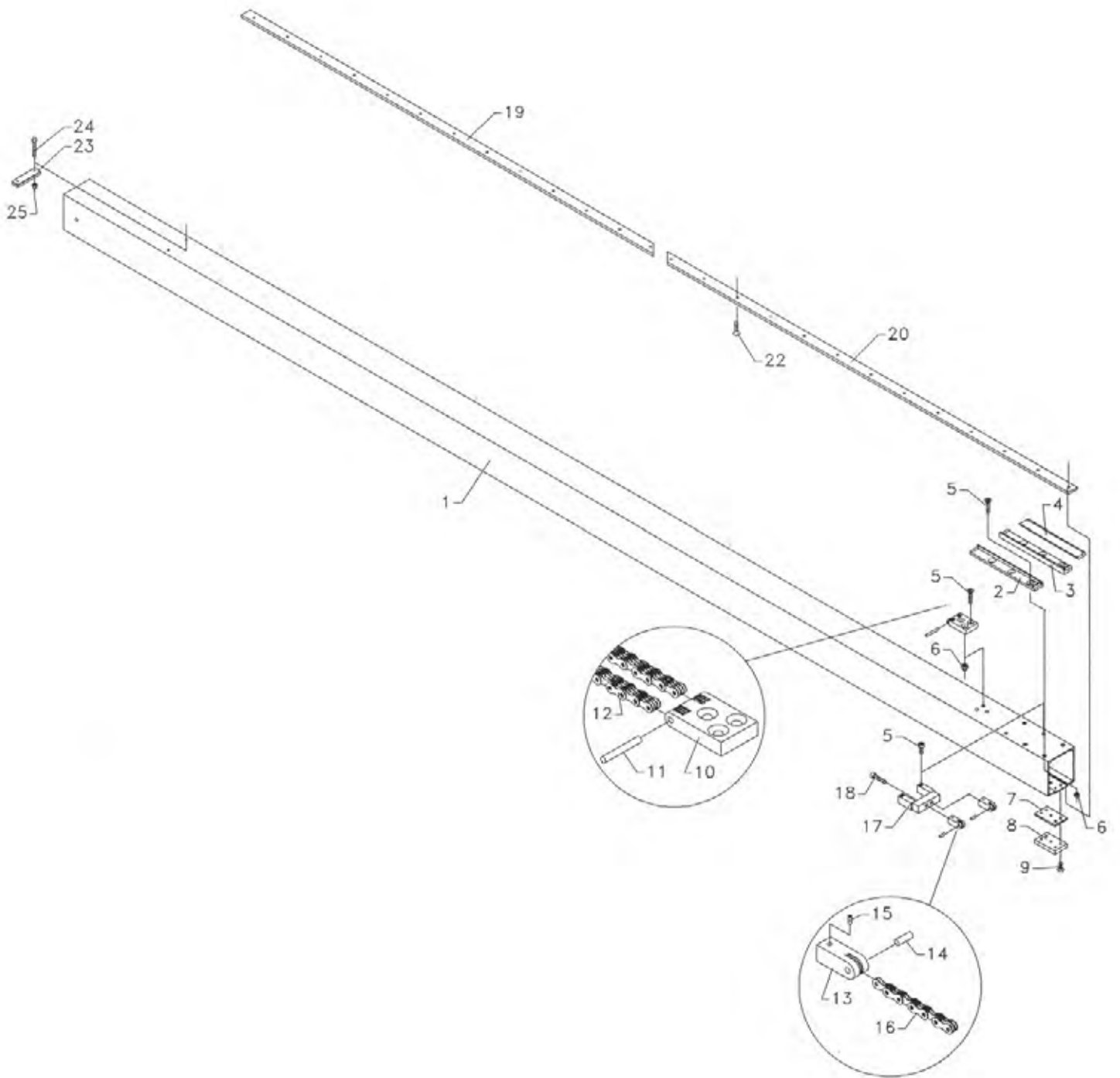


Plate MK22-04a B      ecti    4			Rev nr Rev.1	Date 13-07-95
Item. no	Art. no	Description	Note	
1	12055001	Boom section 4 MK21, std. type		
1	10940101	Boom section 4 MK22, std. type		
2	10751300	Fixture 07513 f. slide face		
3	10750200	Fixture 07502 f. slide face		
4	40750300	Slide face 07503, sect.5 rear		
5	02107032	Screw CH A2 M12x40		
6	02199007	Lock nut A2 M12		
7	10751200	liner		
8	10750600	Slide plate/guide pl. non-fric		
9	02244017	Screw UH A2 M8x20		
10	40750500	Chain fittings (4x5)		
11	02989006			
12	10824002	Chain MK21		
12	10922802	Chain MK22		
13	40740700	Chain fittings (2x3) u.M4		
14	02989001			
15	02155012	Grub screw A2 M5x10		
16	10824102	Chain MK21		
16	10922902	Chain MK22		
17	40750400	Chain adjuster		
18	02100025	Screw CH FZB M12x50		
19	10743600	Guiding list		
20	10831000	Guiding list, 30x8x1000		
20	10930500	Guiding list, 30x8x1500		
22	02174008	Screw UH A2 M6x25		
23	10751000	Flat-cable lock		
24	02244013	Screw UH A2 M6x50		
25	02199004	Lock nut A2 M6		

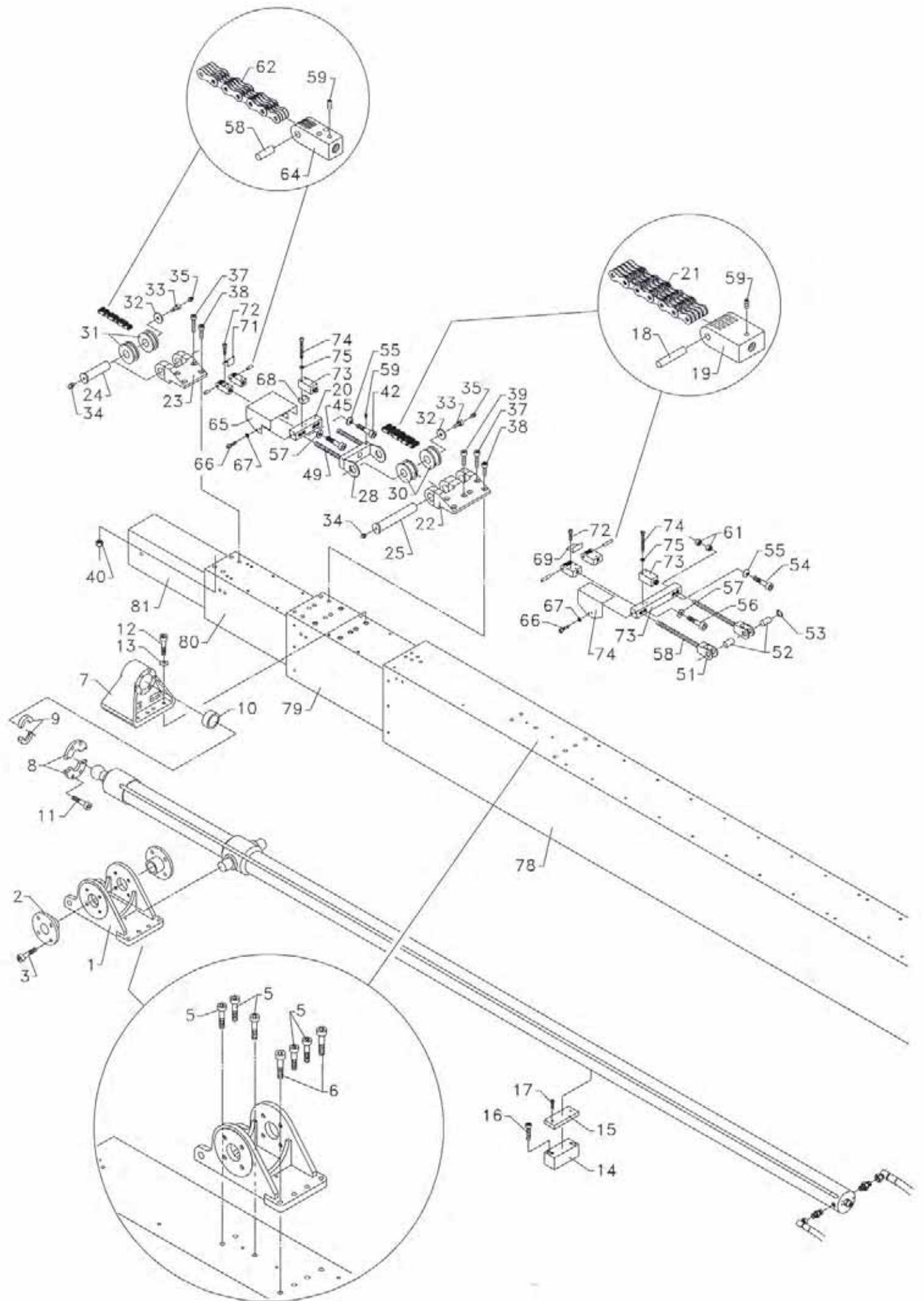


Plate MK22-05a B a e blie			Rev nr Rev.1	Date 13-07-95
Item. no	Art. no	Description	Note	
1	10810200	Cylind. carriage, sect.1 MK5/6		
2	10810300	Flange f. boom cyl. fixture		
3	02107029	Screw CH A2 M12x25		
5	02107029	Screw CH A2 M12x25		
6	02107029	Screw CH A2 M12x25		
7	10820800	Anchor f. cylin. sect. 2 MK5/6		
8	10720400	Flange, two-piece		
9	10720600			
10	10720500			
11	02107030	Screw CH A2 M12x30		
12	02107031	Screw CH A2 M12x35		
13	02818007	Washer A2 M12		
14	10714300			
15	10771700	Rubber pad f. cylinder support		
16	02107018	Screw CH A2 M8x45		
17	02107007	Screw CH A2 M6x25		
18	02889009	Cylindric pin, 8x32mm		
19	40721600	Chain fittings (3x3)m.M4		
19	40726500	Chain fittings (3x3) u.M4		
20	40732000	Chain buckle, sect. 3		
21	10817302	Chain MK21		
21	10917202	Chain MK22		
22	10730800	Chain roller bracket		
23	10740800	Chain roller bracket		
24	10742900	Axle f. chain roller		
25	10732900	Axle f. chain roller		
28	40731000	Chain adjuster		
31	10730900	Chain roller		
30	10721000	Chain roller		
32	10722000	Washer, ø40x11x5mm		
33	10721900	Lubrication screw, M10		
34	03500002	Grease nipple, 1/8"RG		
35	03500006	Grease nipple, 6mm H1A		
37	02107033	Screw CH A2 M12x45		
38	02107031	Screw CH A2 M12x35		
39	02107032	Screw CH A2 M12x40		
40	02199007	Lock nut A2 M12		
42	02100030	Screw CH FZB M12x90		
45	02100026	Screw CH FZB M12x55		
48	02889008	Cylindric pin, 8x28mm		

Plate MK22-05a B a e blic			Rev nr Rev.1	Date 13-07-95
Item. no	Art. no	Description	Note	
49	10777000	Stud bolt M12x140		
51	40711400	Chain adjuster		
52	10714400	Axle		
53	02497002	Circlip, ø20x1.2 A2		
54	02100028	Screw CH FZB M12x75		
55	03500012	Disc spring, 28x12.2x1.00		
56	02100026	Screw CH FZB M12x55		
57	03500012	Disc spring, 28x12.2x1.00		
58	10917100	Stud bolt M12x250		
59	02155012	Grub screw A2 M5x10		
60	40810500	Chain buckle		
61	02115006	Nut 8 FZB M12		
62	10824002	Chain MK21		
62	10922802	Chain MK22		
64	40730700	Chain fittings (4x5) m M4		
64	40733200	Chain fittings (4x5) u M4		
65	13002420	Guard		
66	02157008	Screw CH 4.8 FZB M5x10		
67	02818003	Washer A2 M5		
68	16008820			
69	16008620			
70	14000820	Guard		
71	10004220			
72	02157001	Screw CH 4.8 FZB M4x10		
73	03090018	Llimit switch, XCK-P510		
74	02151005	Screw UH 4.8 FZB M4x30		
75	02821001	Washer FZB M4		
78	12043702	Boom section 1 MK21, std. type		
78	12044302	Boom section 1 MK22, std. type		
79	10823902	Boom section 2 MK21, std. type		
79	10922602	Boom section 2 MK22, std. type		
80	10830101	Boom section 3 MK21, std. type		
80	10930101	Boom section 3 MK22, std. type		
81	10940101	Boom section 4 MK22, std. type		
81	12055001	Boom section 4 MK21, std. type		
58	10816600	Stud bolt M12x320		

***Boom section***

***MK24 Boom***

***DL22N***

---

MK24-01b Boom section 1  
MK24-02b Boom section 2  
MK24-03a Boom section 3  
MK24-04a Boom section 4  
MK24-05a Boom assembled

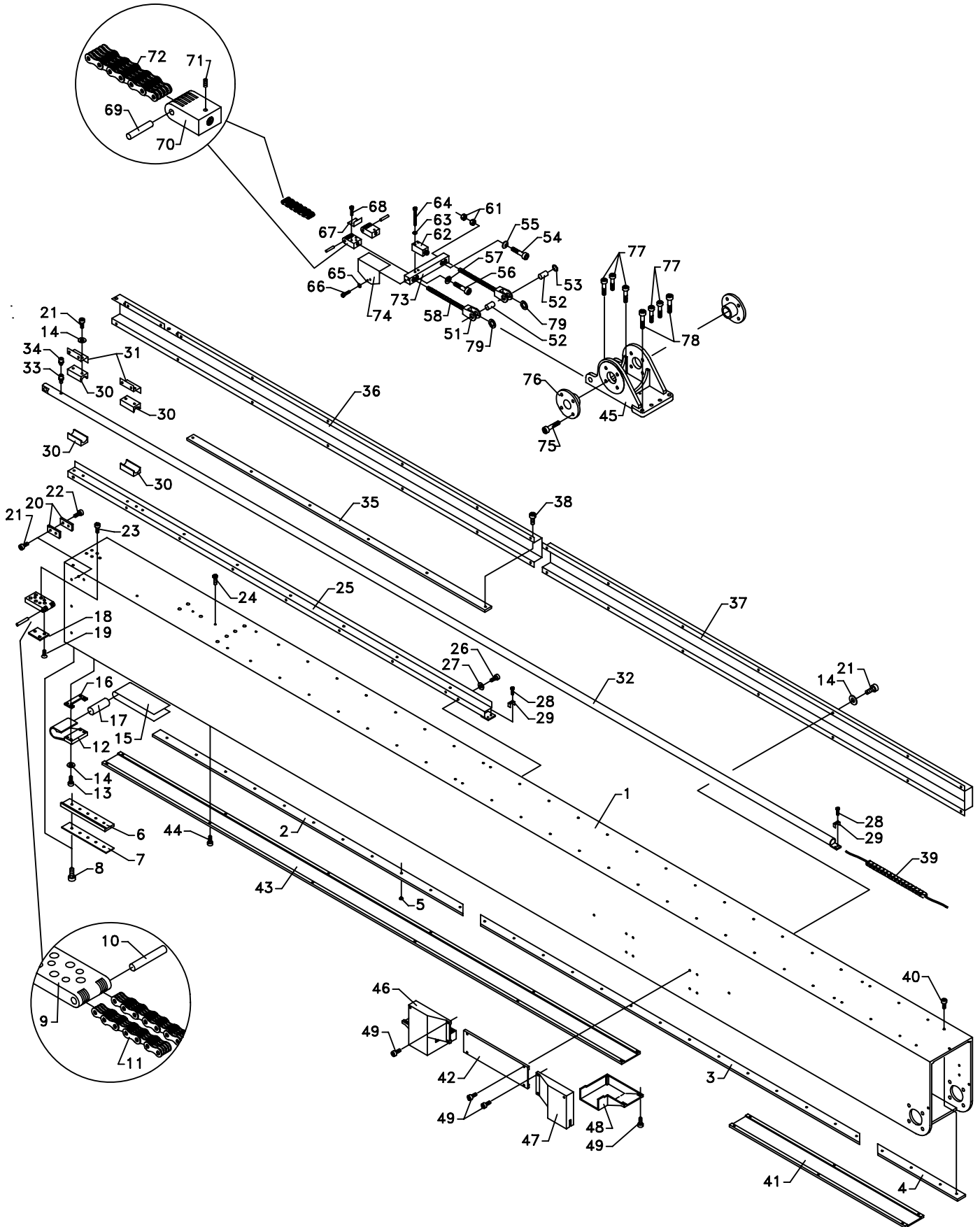




Plate MK24-01b			Rev nr Rev.1	Date 1/5/95
Item. no	Art. no	Description	Note	
1	11374602	Boom section 1 MK23, std. type		
1	12866502	Boom section 1 MK24, std. type		
2	10726300	Guiding list		
3	11220900	Guiding list		
4	11221000	Guiding list		
5	10723200	Threaded bushing, M8		
6	10725600	Slide shoe, A2		
7	10776600	Liner f. slide shoe		
8	10727800	Screw CH A2 M10x17		
9	40721700	Chain fittings, MK21		
10	02889012	Cylindric pin, 8x50mm		
11	03150007	Chain MK23		
11	12880702	Chain MK24		
12	10716200	Flat-cable lock, sect. 1, MK4		
13	02107007	Screw CH A2 M6x25		
14	02818004	Washer A2 M6		
15	03450154	Pilot cable, flat 30m 28 cond.	MK23	
15	03450156	Pilot cable, flat 33m 28 cond.	MK24	
16	10719300	Spacer f. Cable lock 6200		
17	10771800	Lock tube f. cable lock		
18	10722500	Slide plate, non-fric		
19	02244017	Screw UH A2 M8x20		
20	10016922			
21	02107009	Screw CH A2 M6x12		
22	02107009	Screw CH A2 M6x12		
23	02107024	Screw CH A2 M10x25		
24	02244015	Screw UH A2 M8x12		
25	02244026	Screw UH A2 M12x20		
26	40121700	Nut		
27	11409700	Boom stop rubber, 110mm DK3		
28	02107023	Screw CH A2 M10x20		
29	11408000			
40	02107045	Screw CH A2 M8x14		
41	40913600	Cover f. flat cable l=725mm		
42	40916700	Cover f. flat cable l=800mm		
43	41374000	Cover f. flat cable l=2004mm	MK23	
43	42865800	Cover f. flat cable l=2450mm	MK24	
44	02107005	Screw CH A2 M6x16		
45	10810200	Cylind. carriage, sect.1 MK5/6		
46	40813800	Coverage, angul. f. flat cable		

Plate MK24-01b			Rev nr Rev.1	Date 1/5/95
Item. no	Art. no	Description	Note	
47	42042100	Cover f. flat cable		
49	02107006	Screw CH A2 M6x20		
51	40711400	Chain adjuster		
52	10714400	Axle		
53	02497002	Circlip, ø20x1.2 A2		
54	02100028	Screw CH FZB M12x75		
55	03500012	Disc spring, 28x12.2x1.00		
56	02100026	Screw CH FZB M12x55		
57	03500011	Disc spring, 28x12.2x1.00		
58	10917100	Stud bolt M12x250		
61	02115006	Nut 8 FZB M12		
62	03090018	Llimit switch, XCK-P510		
63	02821001	Washer FZB M4		
64	02151005	Screw UH 4.8 FZB M4x30		
65	02818003	Washer A2 M5		
66	02177002	Screw UH A2 M5x10		
67	16008620			
68	02157001	Screw CH 4.8 FZB M4x10		
69	02889009	Cylindric pin, 8x32mm		
70	40721600	Chain fittings (3x3)m.M4		
70	40726500	Chain fittings (3x3) u.M4		
71	02155012	Grub screw A2 M5x10		
72	11221602	Chain MK9/23/25		
72	12880602	Chain MK24		
73	40810500	Chain buckle		
74	14000820	Guard		
75	02107029	Screw CH A2 M12x25		
76	10810300	Flange f. boom cyl. fixture		
77	02107029	Screw CH A2 M12x25		
78	02107029	Screw CH A2 M12x25		
79	02818010	Washer A2 M20		



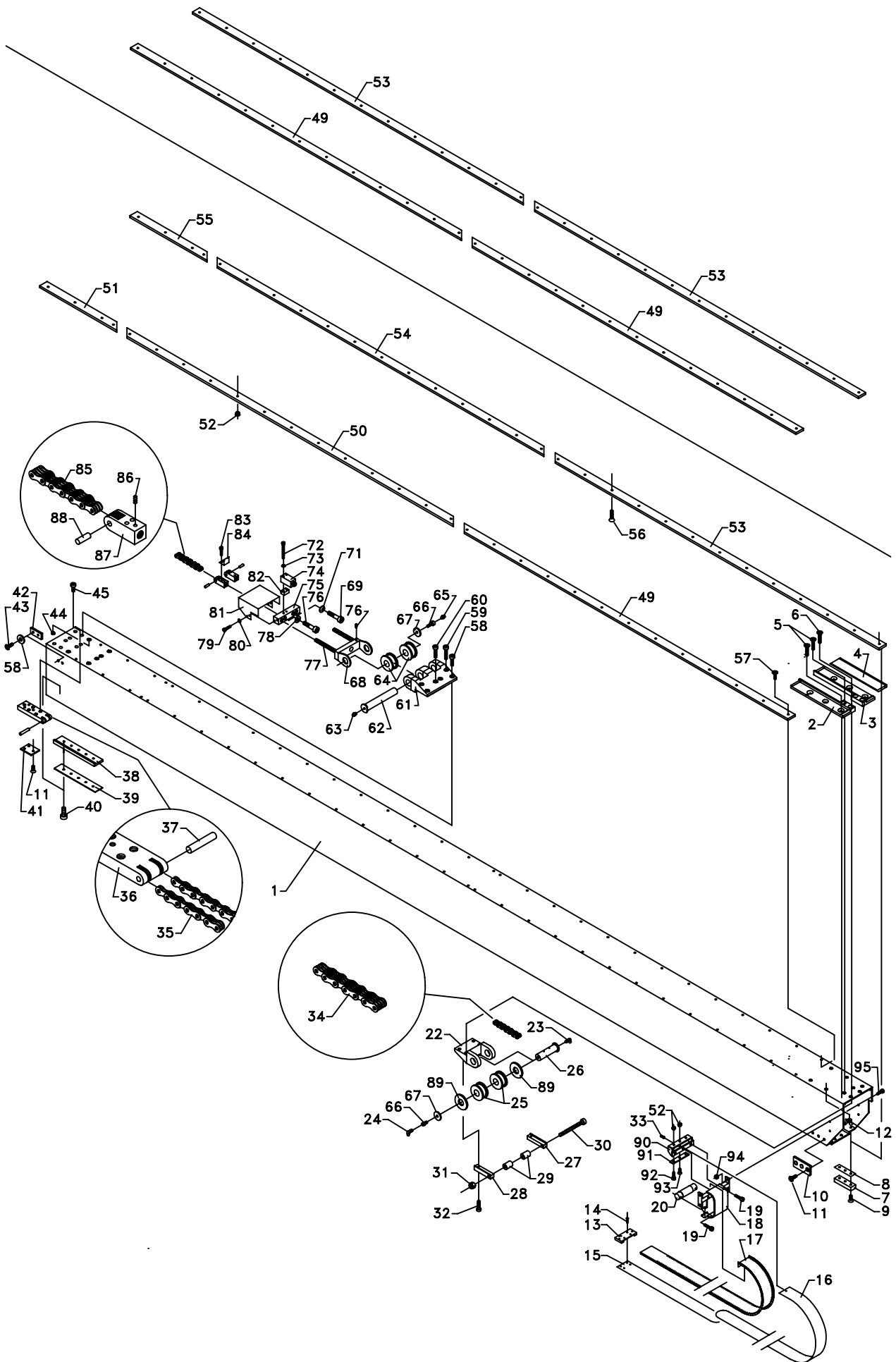


Plate MK24-02b			Rev nr Rev.1	Date 1/7/95
Item. no	Art. no	Description	Note	
1	12875202	Boom section 2 MK24, std. type		
1	11375402	Boom section 2 MK23, std. type		
2	10822900	Fixture f. slide face		
3	10820200	Fixture f. slide face		
4	40730300	Slide face, 07303		
5	02244029	Screw UH A2 M12x40		
6	02244030	Screw UH A2 M12x50		
7	10723300	Guide plate, non-fric		
8	10724600	liner		
9	02244018	Screw UH A2 M8x25		
10	10722400	Guide plate, non-fric		
11	02244017	Screw UH A2 M8x20		
12	02199007	Lock nut A2 M12		
13	10920700			
14	02000070	Tubular rivet 4.0x11 CAP		
15	10921700			
15	10921100			
16	03450156	Pilot cable, flat 33m 28 cond.	MK24	
16	03450154	Pilot cable, flat 30m 28 cond.	MK23	
17	10921300			
17	10920800			
18	10822400	Side bedding		
19	02107008	Screw CH A2 M6x30		
20	10821400			
22	10720900	Chain roller bracket		
23	03500004	Grease nipple,, 1/8"RG 90 Gr.		
24	03500000	Grease nipple, 6mm 90gr		
25	10730500	Chain roller		
26	10721100	Axle f. chain roller		
27	10722600			
28	10725200			
29	10722200	Chain roller		
30	02127038	Screw A2 M6x120		
31	02199004	Lock nut A2 M6		
32	02107007	Screw CH A2 M6x25		
33	02896001			
34	03150007	Chain MK23		
34	12880702	Chain MK24		
35	03150008	Chain MK23		
35	12885702	Chain MK24		
36	40721700	Chain fittings, MK21		

Plate MK24-02b			Rev nr Rev.1	Date 1/7/95
Item. no	Art. no	Description	Note	
37	02889012	Cylindric pin, 8x50mm		
38	10732300	Slide shoe, A2		
39	10716900	Liner f. slide shoe		
40	10727800	Screw CH A2 M10x17		
41	10722500	Slide plate, non-fric		
42	10016922			
43	02107009	Screw CH A2 M6x12		
44	10722700	Press nut M12 - 4.5		
45	02107033	Screw CH A2 M12x45		
46	02107031	Screw CH A2 M12x35		
49	10733600	Guiding list		
50	11230600	Guiding list		
51	11230700	Guiding list		
52	10716100	Press nut M6		
53	10726300	Guiding list		
54	11220900	Guiding list		
55	11221000	Guiding list		
56	02174005	Screw UH A2 M8x16		
57	02244113	Screw UH A2 M6x14		
58	02818004	Washer A2 M6		
59	02107033	Screw CH A2 M12x45		
60	02107032	Screw CH A2 M12x40		
61	10730800	Chain roller bracket		
62	10732900	Axle f. chain roller		
63	03500002	Grease nipple, 1/8"RG		
64	10730900	Chain roller		
65	03500006	Grease nipple, 6mm H1A		
66	10721900	Lubrication screw, M10		
67	10722000	Washer, ø40x11x5mm		
68	40731000	Chain adjuster		
69	02100030	Screw CH FZB M12x90		
71	03500012	Disc spring, 28x12.2x1.00		
72	02151005	Screw UH 4.8 FZB M4x30		
73	02821001	Washer FZB M4		
74	03090018	Llimit switch, XCK-P510		
75	40732000	Chain buckle, sect. 3		
76	02100026	Screw CH FZB M12x55		
77	10777000	Stud bolt M12x140		
78	03500011	Disc spring, 28x12.2x1.00		
79	02157008	Screw CH 4.8 FZB M5x10		

Plate MK24-02b			Rev nr Rev.1	Date 1/7/95
Item. no	Art. no	Description	Note	
80	02818003	Washer A2 M5		
81	13002420	Guard		
82	16008820			
83	02157001	Screw CH 4.8 FZB M4x10		
84	10004220			
85	12885602	Chain MK24		
85	10734702	Chain MK9/23		
86	02155012	Grub screw A2 M5x10		
87	40733200	Chain fittings (4x5) u M4		
87	40730700	Chain fittings (4x5) m M4		
88	02889008	Cylindric pin, 8x28mm		
89	10820300	Spacer chain roller bracket		
90	10822600	Clamp		
91	10822500			
92	02107005	Screw CH A2 M6x16		
93	02244007	Screw UH A2 M6x16		

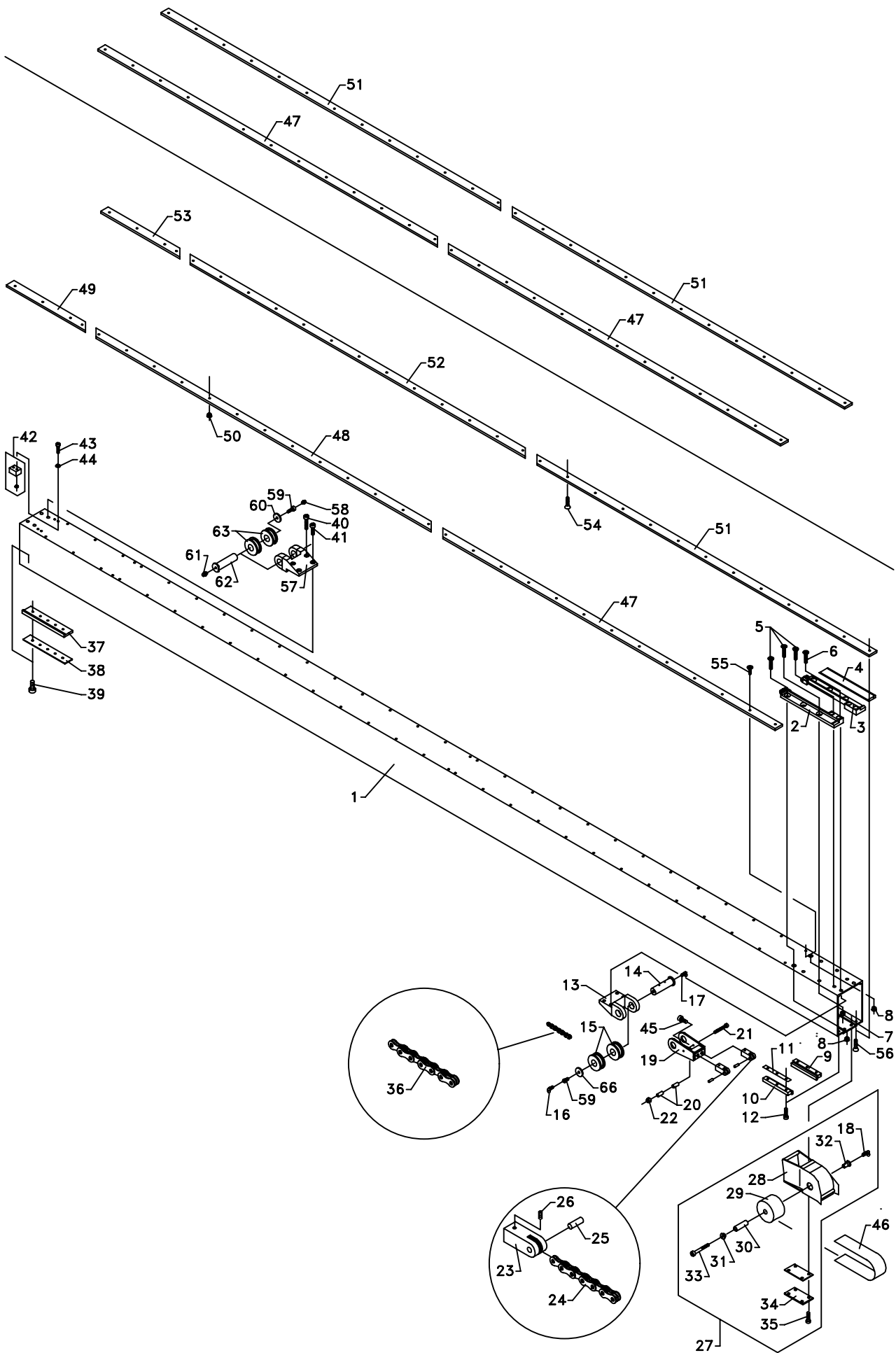




Plate MK24-03a			Rev nr Rev.2	Date 1/5/95
Item. no	Art. no	Description	Note	
1	11377001	Boom section 3 MK23, std. type		
1	11240401	Boom section 3/4 MK 24/25, std. type		
2	40743100	Fixture 07431 f. slide face		
3	40740200	Fixture 07402 f. slide face		
4	40740300	Slide face, 07403		
5	02244029	Screw UH A2 M12x40		
6	02244030	Screw UH A2 M12x50		
7	02199005	Lock nut A2 M8		
8	10722700	Press nut M12 - 4.5		
9	10743300	Slide shoe, 07433 L		
10	10741700	Slide shoe, 07417 R		
11	10741800			
12	02244008	Screw UH A2 M6x20		
13	10740400	Chain roller bracket		
14	10742800	Axle f. chain roller		
15	10740500	Chain roller		
16	03500000	Grease nipple, 6mm 90gr		
17	03500004	Grease nipple,, 1/8"RG 90 Gr.		
18	03500027	Grease nipple, M8 H3 90 degr.		
19	40740600	Chain adjuster		
20	10743000	Chain roller		
21	02127028	Screw A2 M6x80		
22	02126004	Nut A2 M6		
23	40740700	Chain fittings (2x3) u.M4		
24	03150007	Chain MK23		
24	12880702	Chain MK24		
25	02989001			
26	02155012	Grub screw A2 M5x10		
27	10741101			
28	10741200			
29	10724100			
30	40724200	Axle		
31	10724400	Bushing		
32	10724300	Bushing		
33	02244035	Screw UH A2 M8x60		
34	10741600			
35	02244018	Screw UH A2 M8x25		
36	03150008	Chain MK23		
36	12885702	Chain MK24		
37	10742300	Slide shoe, A2		

Plate MK24-03a			Rev nr Rev.2	Date 1/5/95
Item. no	Art. no	Description	Note	
38	10776700	Liner f. slide shoe		
39	02107022	Screw CH A2 M10x16		
40	02107033	Screw CH A2 M12x45		
41	02107004	Screw CH A2 M6x10		
42	10744700	Slide plate, non-fric		
43	02107007	Screw CH A2 M6x25		
44	02818004	Washer A2 M6		
45	02100025	Screw CH FZB M12x50		
46	03450156	Pilot cable, flat 33m 28 cond.	MK24	
46	03450154	Pilot cable, flat 30m 28 cond.	MK23	
47	10743600	Guiding list		
48	11240500	Guiding list		
49	11240600	Guiding list		
50	10716100	Press nut M6		
51	10733600	Guiding list		
52	11230600	Guiding list		
53	11230700	Guiding list		
54	02174005	Screw UH A2 M8x16		
55	02244000	Screw UH A2 M6x13		
56	02174005	Screw UH A2 M8x16		
57	10740800	Chain roller bracket		
58	03500026	Grease nipple, M8 H1		
59	10721900	Lubrication screw, M10		
60	10722000	Washer, ø40x11x5mm		
61	03500002	Grease nipple, 1/8"RG		
62	10742900	Axle f. chain roller		
63	10721000	Chain roller		



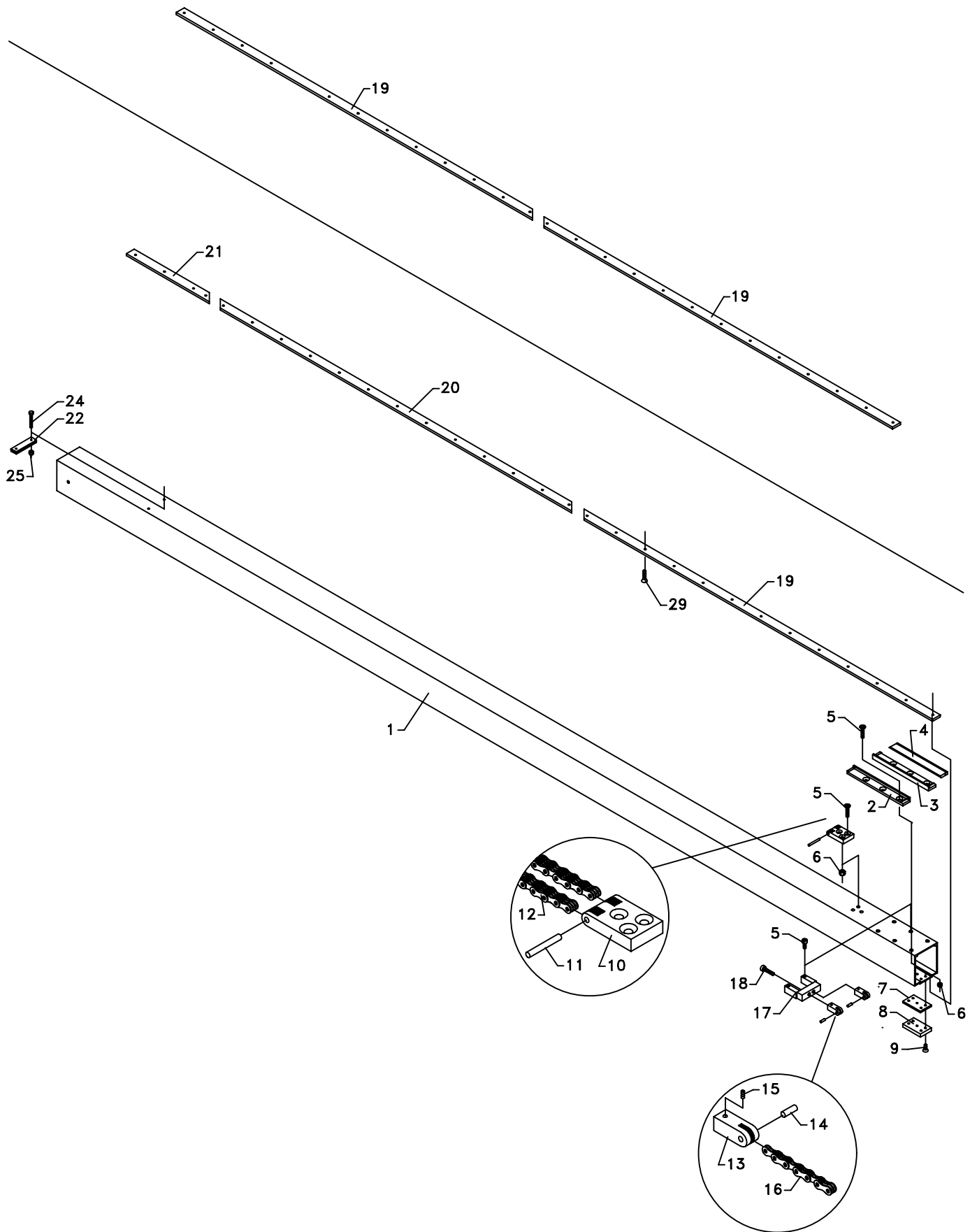


Plate MK24-04a			Rev nr Rev.2	Date 1/5/95
Item. no	Art. no	Description	Note	
1	11379001	Boom section 4, std. type		
1	11251501	Boom section 5, std. type		
2	10751300	Fixture 07513 f. slide face		
3	10750200	Fixture 07502 f. slide face		
4	40750300	Slide face 07503, sect.5 rear		
5	02107032	Screw CH A2 M12x40		
6	02199007	Lock nut A2 M12		
7	10751200	liner		
8	10750600	Slide plate/guide pl. non-fric		
9	02244017	Screw UH A2 M8x20		
10	40750500	Chain fittings (4x5)		
11	02989006			
12	10734702	Chain MK9/23		
12	12885602	Chain MK24		
13	40740700	Chain fittings (2x3) u.M4		
14	02989001			
15	02155012	Grub screw A2 M5x10		
16	03150008	Chain MK23		
16	12885702	Chain MK24		
17	40750400	Chain adjuster		
18	02100025	Screw CH FZB M12x50		
19	10743600	Guiding list		
20	11240500	Guiding list		
21	11240600	Guiding list		
22	02174008	Screw UH A2 M6x25		
23	10751000	Flat-cable lock		
24	02244013	Screw UH A2 M6x50		
25	02199004	Lock nut A2 M6		

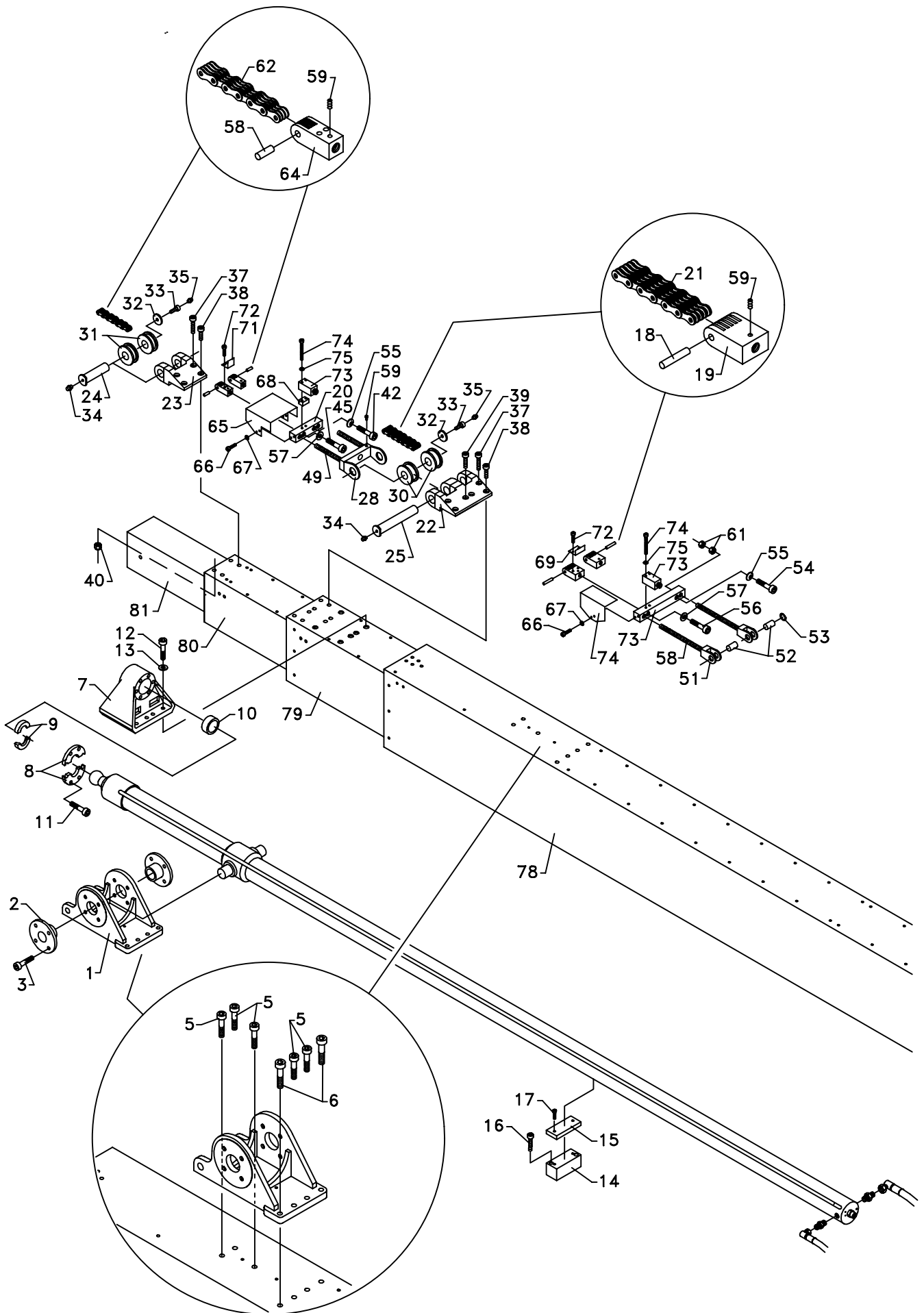
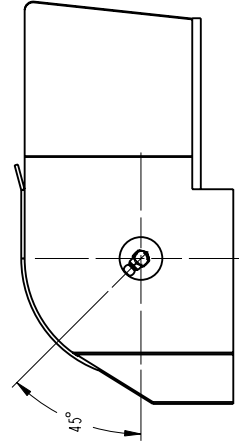
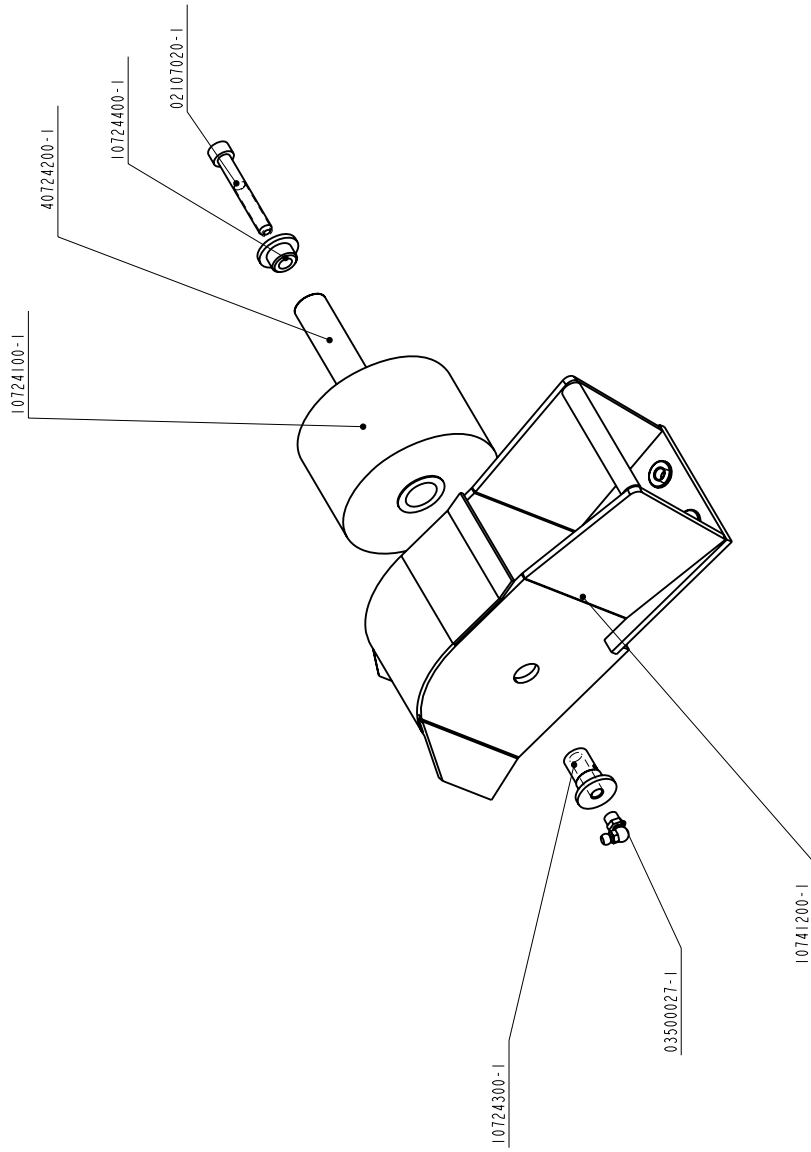


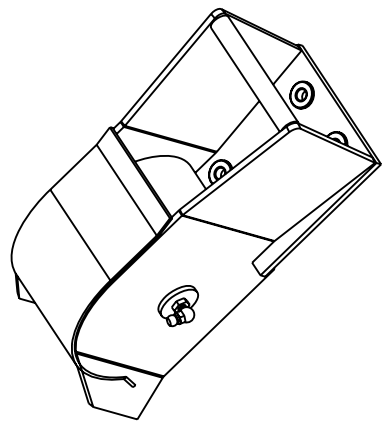
Plate MK24-05a			Rev nr Rev.2	Date 1/5/95
Item. no	Art. no	Description	Note	
1	10810200	Cylind. carriage, sect.1 MK5/6		
2	10810300	Flange f. boom cyl. fixture		
3	02107029	Screw CH A2 M12x25		
5	02107029	Screw CH A2 M12x25		
6	02107029	Screw CH A2 M12x25		
7	10820800	Anchor f. cylin. sect. 2 MK5/6		
8	10720400	Flange, two-piece		
9	10720600			
10	10720500			
11	02107030	Screw CH A2 M12x30		
12	02107031	Screw CH A2 M12x35		
13	02818007	Washer A2 M12		
14	10714300			
15	10771700	Rubber pad f. cylinder support		
16	02107018	Screw CH A2 M8x45		
17	02107007	Screw CH A2 M6x25		
18	02889009	Cylindric pin, 8x32mm		
19	40726500	Chain fittings (3x3) u.M4		
19	40721600	Chain fittings (3x3)m.M4		
20	40732000	Chain buckle, sect. 3		
21	11221602	Chain MK9/23/25		
21	12880602	Chain MK24		
22	10730800	Chain roller bracket		
23	10740800	Chain roller bracket		
24	10742900	Axle f. chain roller		
25	10732900	Axle f. chain roller		
28	40731000	Chain adjuster		
30	10730900	Chain roller		
31	10721000	Chain roller		
32	10722000	Washer, ø40x11x5mm		
33	10721900	Lubrication screw, M10		
34	03500002	Grease nipple, 1/8"RG		
35	03500006	Grease nipple, 6mm H1A		
37	02107033	Screw CH A2 M12x45		
38	02107031	Screw CH A2 M12x35		
39	02107032	Screw CH A2 M12x40		
40	02199007	Lock nut A2 M12		
42	02100030	Screw CH FZB M12x90		
45	02100026	Screw CH FZB M12x55		
48	02889008	Cylindric pin, 8x28mm		

Plate MK24-05a			Rev nr Rev.2	Date 1/5/95
Item. no	Art. no	Description	Note	
49	10777000	Stud bolt M12x140		
51	40711400	Chain adjuster		
52	10714400	Axle		
53	02497002	Circlip, ø20x1.2 A2		
54	02100028	Screw CH FZB M12x75		
55	03500012	Disc spring, 28x12.2x1.00		
56	02100026	Screw CH FZB M12x55		
57	03500012	Disc spring, 28x12.2x1.00		
58	10917100	Stud bolt M12x250		
59	02155012	Grub screw A2 M5x10		
60	40810500	Chain buckle		
61	02115006	Nut 8 FZB M12		
62	10734702	Chain MK9/23		
62	12885602	Chain MK24		
64	40730700	Chain fittings (4x5) m M4		
64	40733200	Chain fittings (4x5) u M4		
65	13002420	Guard		
66	02157008	Screw CH 4.8 FZB M5x10		
67	02818003	Washer A2 M5		
68	16008820			
69	16008620			
70	14000820	Guard		
71	10004220			
72	02157001	Screw CH 4.8 FZB M4x10		
73	03090018	Llmit switch, XCK-P510		
74	02151005	Screw UH 4.8 FZB M4x30		
75	02821001	Washer FZB M4		
78	11374602	Boom section 1 MK23, std. type		
78	12866502	Boom section 1 MK24, std. type		
79	12875202	Boom section 2 MK24, std. type		
79	11375402	Boom section 2 MK23, std. type		
80	11377001	Boom section 3 MK23, std. type		
80	11240401	Boom section 3/4 MK 24/25, std. type		
81	11379001	Boom section 4, std. type		
81	11251501	Boom section 5, std. type		





Montering af smørenippel  
Mounting of lubricator



Rev. B	Tegnet i Pro-E	04-Oct-00	SH
Dimensions if not otherwise indicated	Format	0.500	Supersedes drawing no.
	Scale	A2	Supersedes by drawing no.
	Weight in kg	MK4	Approved by
	Sheet	1/388	Drawn by SH 04-Oct-00
	Total sheets	1	Drawing no.
			10741101

**DENKA-LIFT**

Mojirap 5, DK-4300 Hvidebø - Phone: +45 59455500 Fax: +45 59442155

Vendekonsol, monteret  
Turn table, assembled

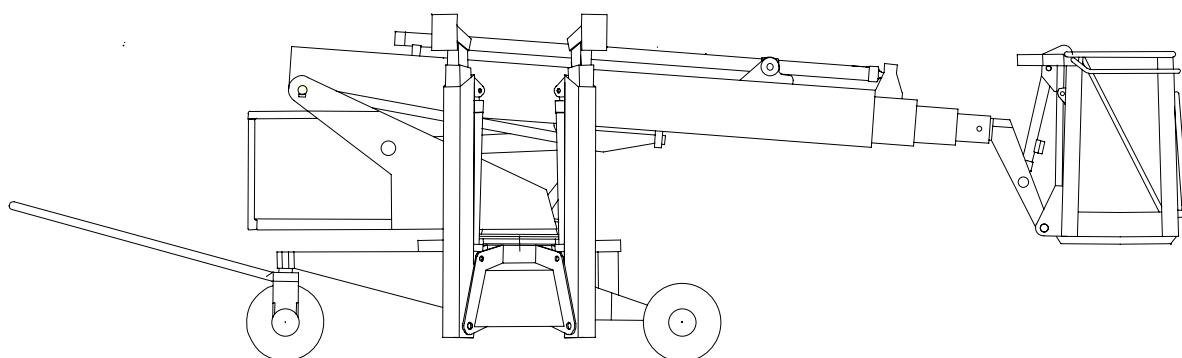
7	Vende
6	Smøre
5	Ruller
4	Model
3	Tabell
2	Bevis
1	Aktuel



**RESERVEDELS-  
KATALOG**

**SPARE PARTS  
CATALOGUE**

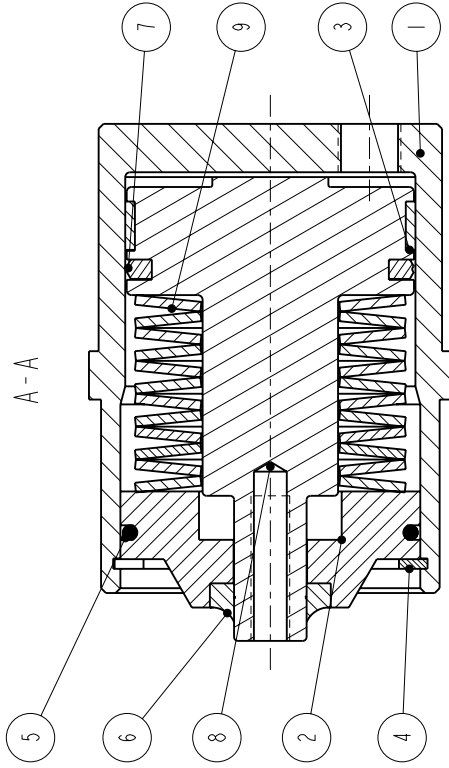
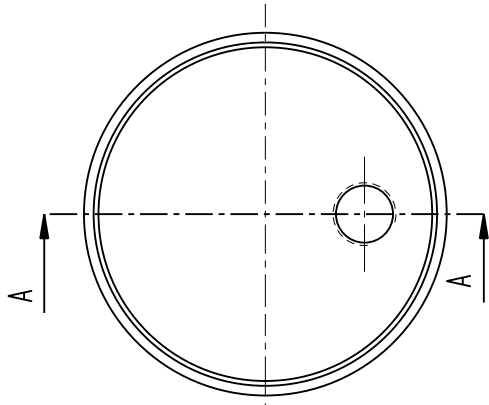
**ERSATZTEILS-  
KATALOG**



**CYLINDER  
ZYLINDER**

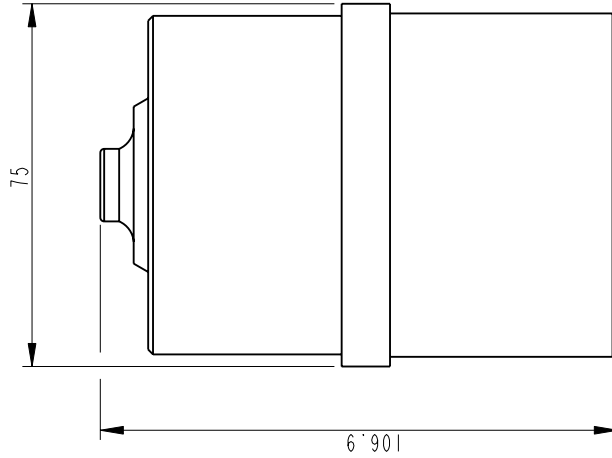
Version – 07.2004

A B C D E F

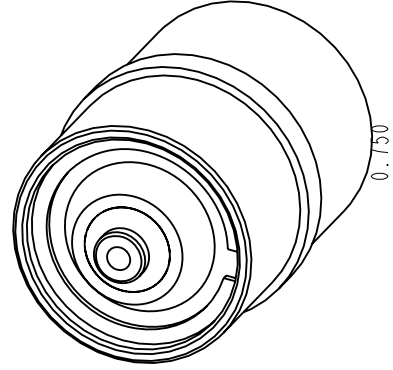


A-A

Arbejdsdruk: 200 Bar  
Trykprøves: 250 Bar



Note: Males 80-120 µm



Note: Komplet pakn. sæt, pos. 3, 5 og 6, vnr. 10104312

Rev. B	Tegnet i Pro-E	07-Mar-00	SH			
9	T-fjeder 56x28.5x2	12	03500040 0.028			
8	Stempel 01103038	I S355 J263	EN 10025 10104610 0.671			
7	Simko 300 60-49-4	I	03295186 0.000			
6	Pakn. AS 15-25-5-8	I	03295062 0.005			
5	O-RING 55x3	I	03295410 0.000			
4	Låserring J62 Ø62x2.0	I	02898010			
3	EFFK Føringsbånd 60-56-10	I	03295120 0.000			
2	Dækkel 1401003	I	10104510 0.325			
1	Cylinderrør 01103040	I S355 J263	EN 10025 10104410 1.008			
Item	Subject	No.	Quality	Standard	Id no.	Weight
Tolerances if not otherwise indicated						
Hejvang 5, DK-4300 Holbæk - Phone +45 59455500 Fax +45 59442155						
Weight in kg. 2.428						
SAIS - 60/28 - 10						
Bremsecylinder						
Drawing no. 40104311						

**DENKA LIFT**

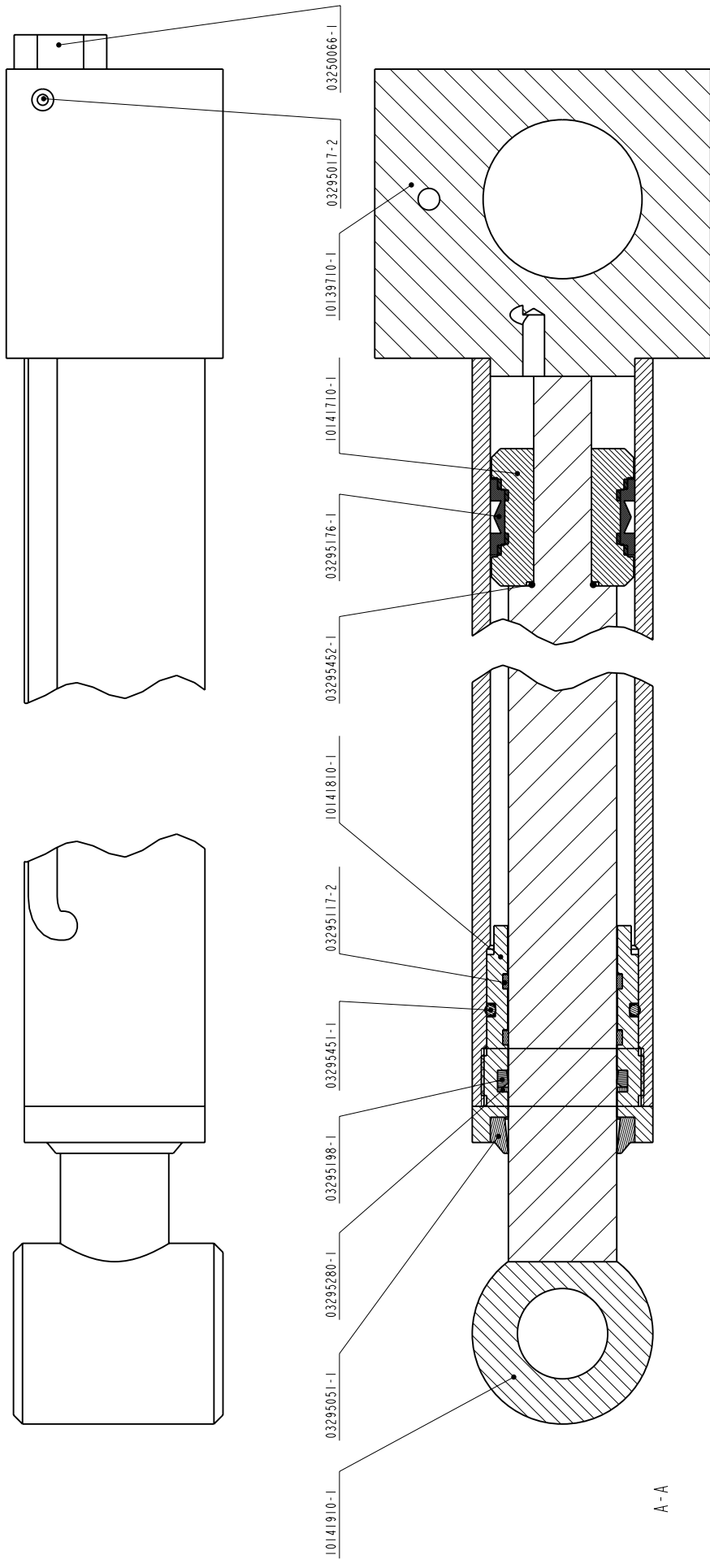
Scale 1:000  
Format A3  
Approved by

Drawn by SH 07-Mar-00

Drawing no.

40104311

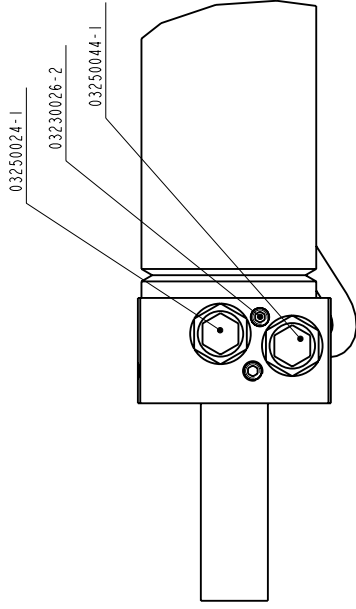
A B C D E F



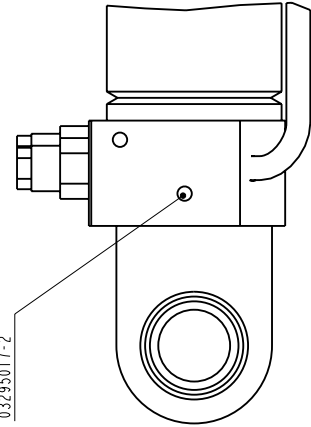
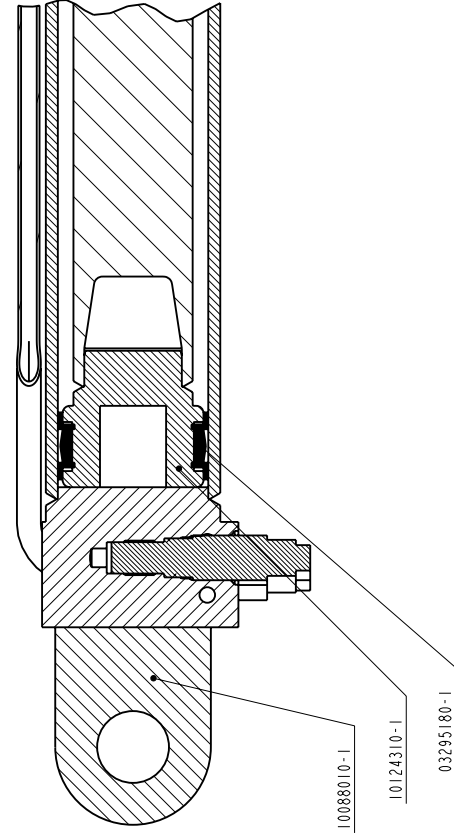
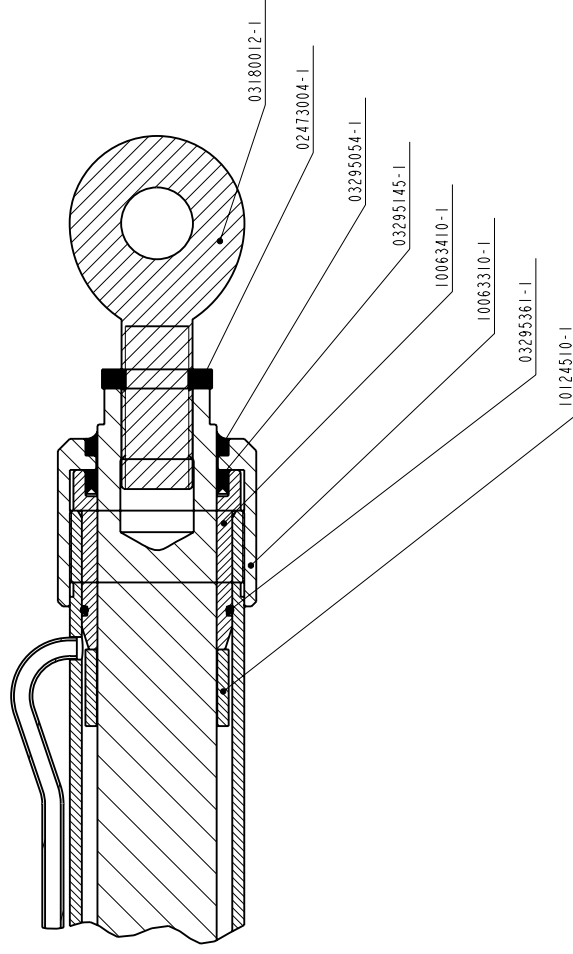
Note: Males 80-120 µm  
 Arbejdsdruk: 200 Bar  
 Trykprøves: 250 Bar

Rev. C	Tegnet af i pro	10-Maj-01	DB
Tolerance if not otherwise indicated	Formel	1:300	Supersedes drawing no.
Weight in kg	Scale	A2	Supersedes by drawing no.
4126.951	Model no.	DL1719722N	Approved by
Sheet	Manufacturer	DENKA-LIFT	Drawn by
Total sheets	Phone	+45 5942155	DB
	Fax	+45 5942155	04-Maj-01
			Drawing no.
			40133911

A - A



A - A

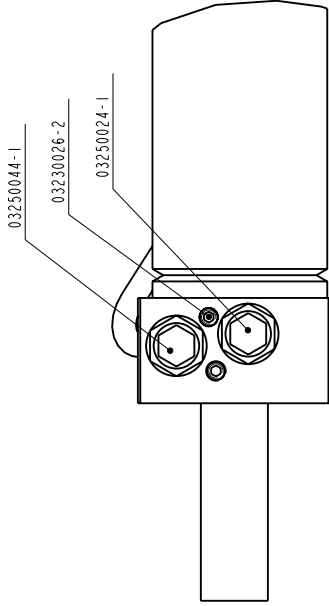


Note: Males 80-120 µm  
 Arbejdsstryk: 200 Bar  
 Trykproves: 250 Bar

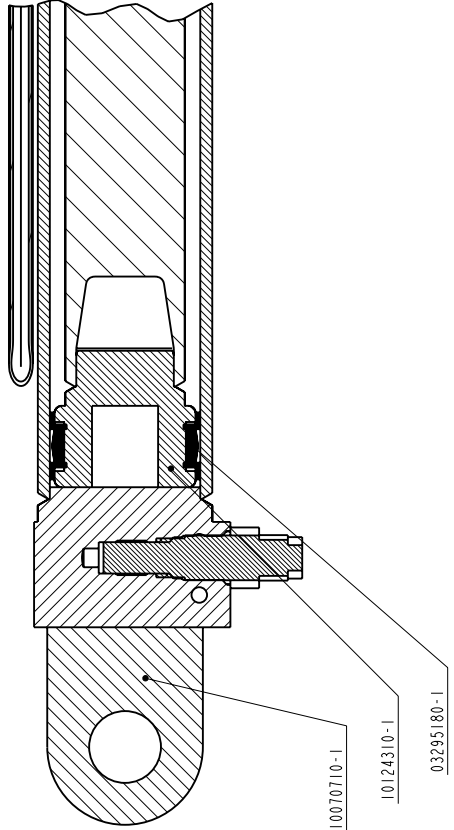
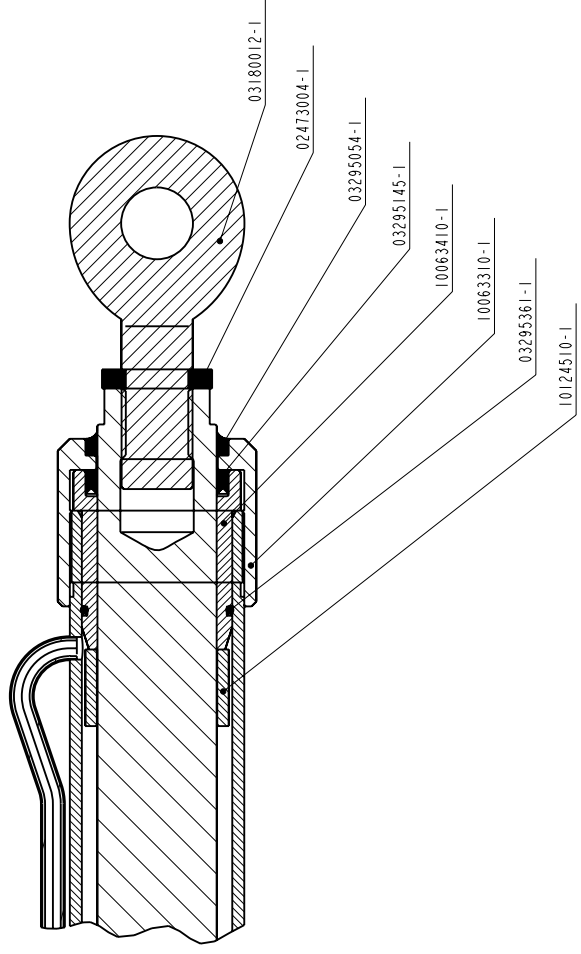
Rev. 01	Tegnet op i pro	07-May-01	DB
Tolerance if not otherwise indicated	0.100	Supersedes drawing no.	
Scale	1:2	Superseded by drawing no.	
Approved by	DL17/19/22N		
Weight in kg	1850.000	Drawn by	DB 04-May-01
Sheet		Drawing no.	
Total sheets			40124211

**DENKA-LIFT**  
 Højvang 5, DK-4300 Hvidebø - Phone: +45 59455500 Fax: +45 59442155  
 Støttecylinder VF-HB  
 Outrigercylinder  
 Ausliggercylinder

May not be copied or used unless authorized by DENKA LIFT A/S

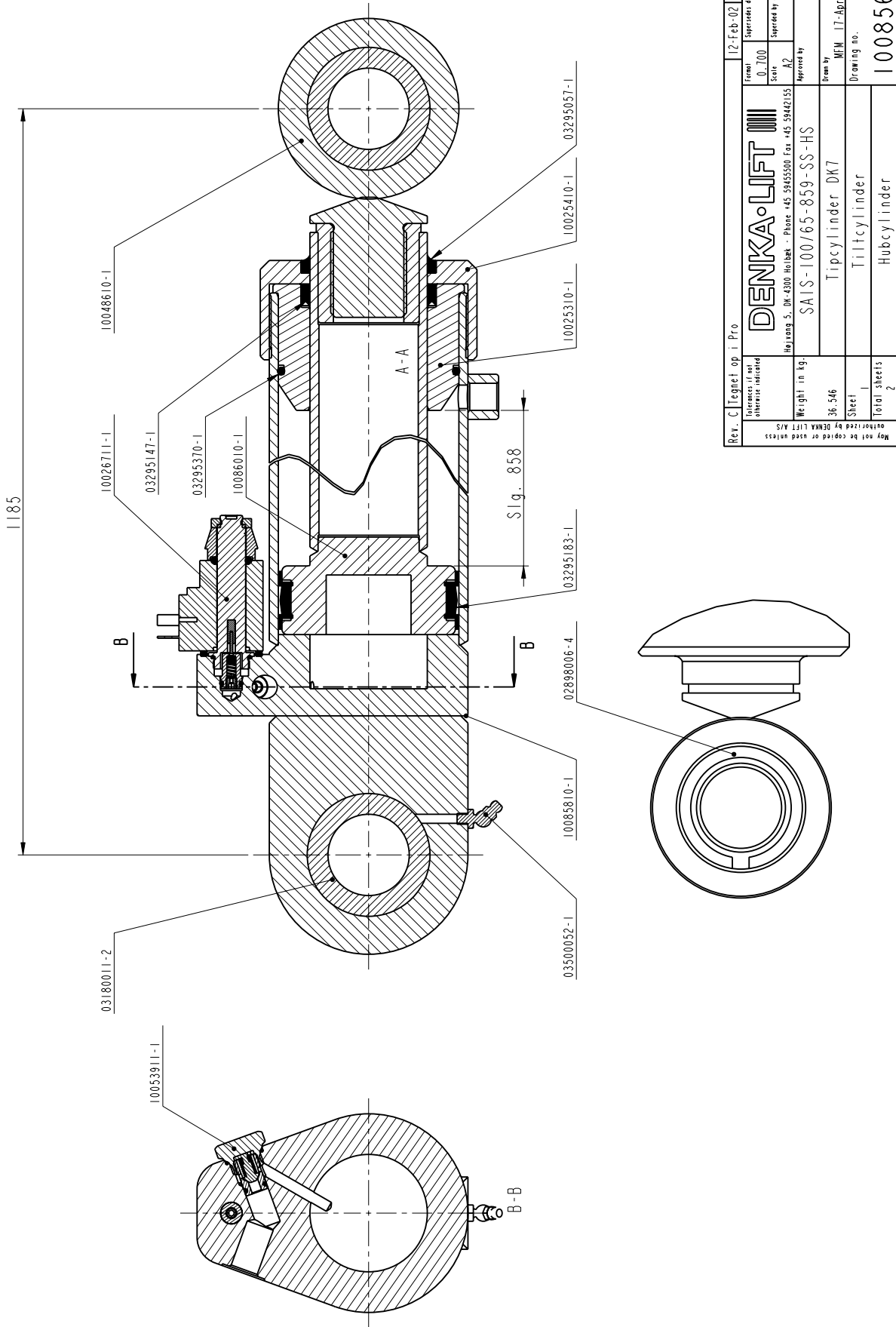


A - A



Note: Males 80-120 µm  
Arbeidsstryk: 200 Bar  
Trykproves: 250 Bar

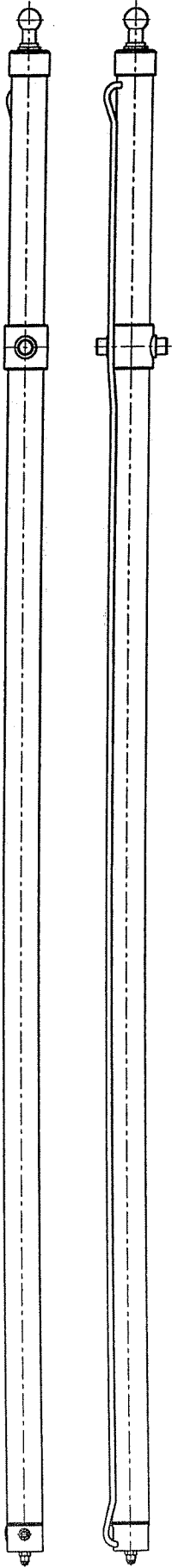
Rev. 0	Tegnet op i pro	07-May-01	DB
Tolerances if not otherwise indicated	DS/ISO 139204	0.100	Supersedes drawing no.
Weight in kg:	1850.000	A2	Superseded by drawing no.
<b>DENKA-LIFT</b> Højrang 5, DK-4300 Hvidebø - Phone: +45 59455500 Fax: +45 59442155 Approved by: DL17/19/22N		Drawn by: DB 04-May-01 Drawing no.:	
Støttebencylinder HF-VB Outtriggercylinder Ausliggercylinder		40124611	
May not be copied or used unless authorized by DENKA LIFT A/S		Total sheets:	



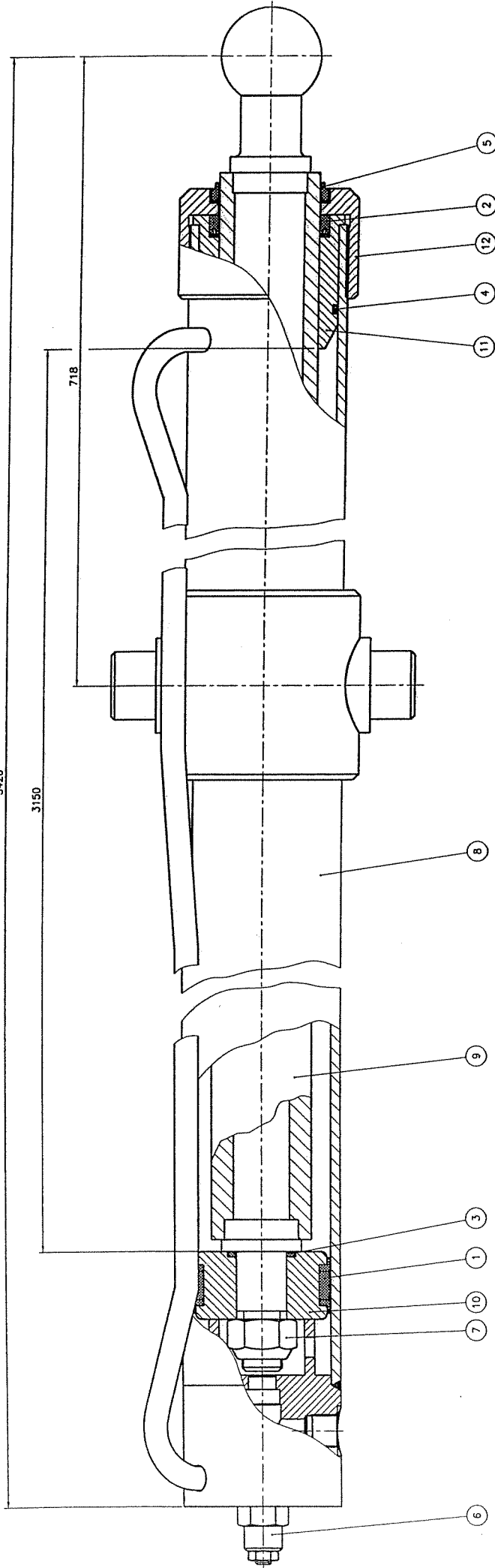
Rev. C   Tegnet op i Pro	12-Feb-02	PH
Tolerance if not otherwise indicated	Formal Scale	Supersedes drawing no.
	0,200	
	A2	Superseded by drawing no.
DENKA-LIFT		
Møllegaard 5, DK-4200 Hvidebæk - Phone +45 59455500 Fax +45 59442155		
Approved by		
SAIS-100765-859-SS-HS		
Drawn by MFM 17-Apr-00		
Drawing no.		
Tiltpylinder DK7		
Tiltpylinder		
Hubcylinder		
10085611		
Weight in kg	Total sheets	
36,546	2	
May not be copied or used unless authorized by DENKA LIFT A/S		



Målestok 1:5



3425



NOTE: Komplet pakingsset (pos. 1-5) varenr. 10021812  
 NOTE: Moles.

Item	Part No.	Subject	Standard	Weight
1	10023110	Pakn. NI 300 50-60-10 H og S		03295330
2	10023210	Pakn. SHKO 320 70-88-14-28		03295145
3	10023110	Stempel l. 70/50		03295181
4	10022710	Cylinder		
5	10022010	Låsmech. 8 FZB M20		
6	02176010	O-ring 63.50-3.53		
7	03250023	Valvemech. 8 FZB M20		
8	03295654	Valvemech. 8 FZB M20		
9	03295342	Valvemech. 8 FZB M20		

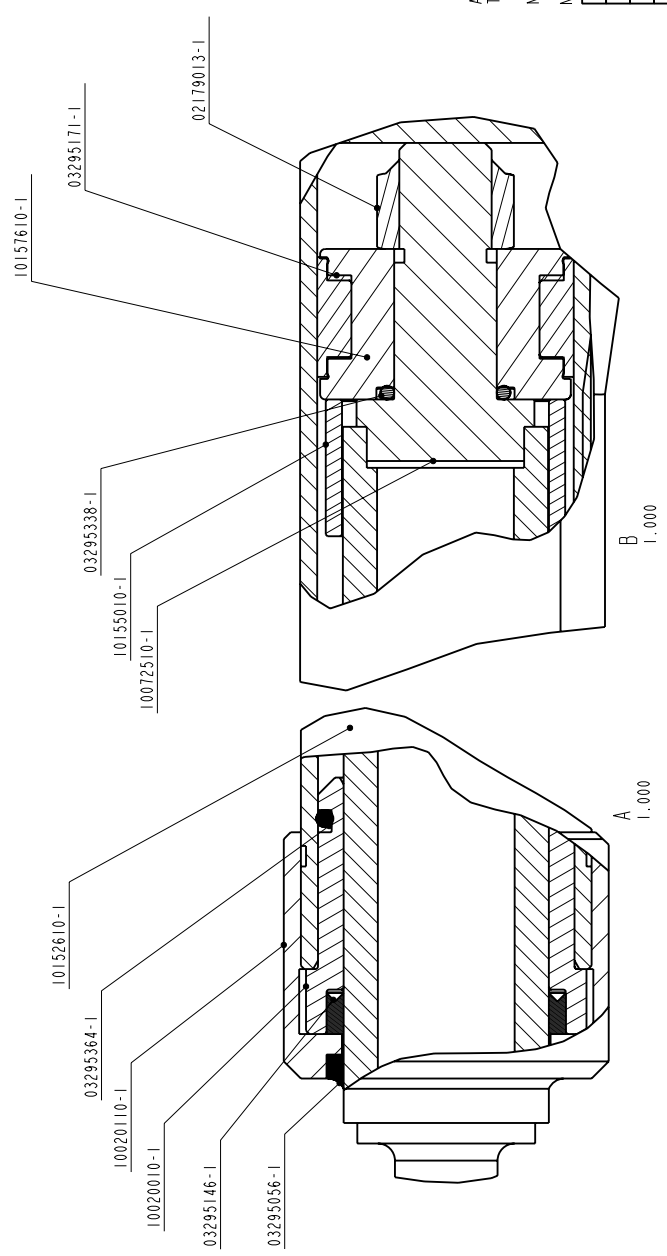
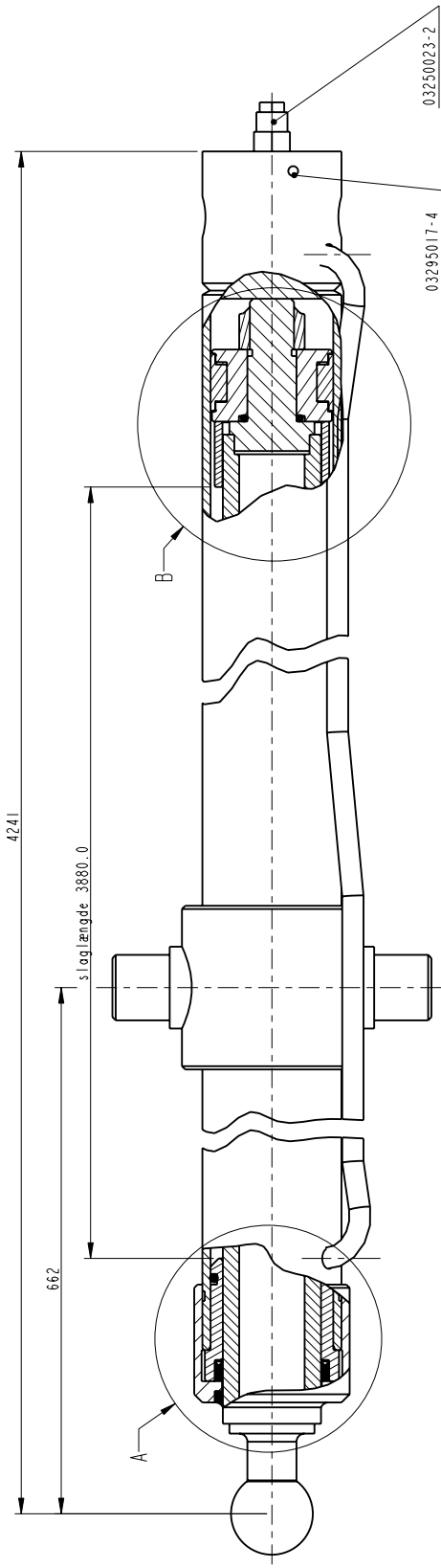
  

Item	Part No.	Subject	Standard	Weight
1	10023110	Pakn. NI 300 50-60-10 H og S		03295330
2	10023210	Pakn. SHKO 320 70-88-14-28		03295145
3	10023110	Stempel l. 70/50		03295181
4	10022710	Cylinder		
5	10022010	Låsmech. 8 FZB M20		
6	02176010	O-ring 63.50-3.53		
7	03250023	Valvemech. 8 FZB M20		
8	03295654	Valvemech. 8 FZB M20		
9	03295342	Valvemech. 8 FZB M20		

Item	Part No.	Subject	Standard	Weight
1	10023110	Pakn. NI 300 50-60-10 H og S		03295330
2	10023210	Pakn. SHKO 320 70-88-14-28		03295145
3	10023110	Stempel l. 70/50		03295181
4	10022710	Cylinder		
5	10022010	Låsmech. 8 FZB M20		
6	02176010	O-ring 63.50-3.53		
7	03250023	Valvemech. 8 FZB M20		
8	03295654	Valvemech. 8 FZB M20		
9	03295342	Valvemech. 8 FZB M20		

DA1S-70/50-3150-VK-HS  
 Børcylinder 18m MK6  
 1 00218 11



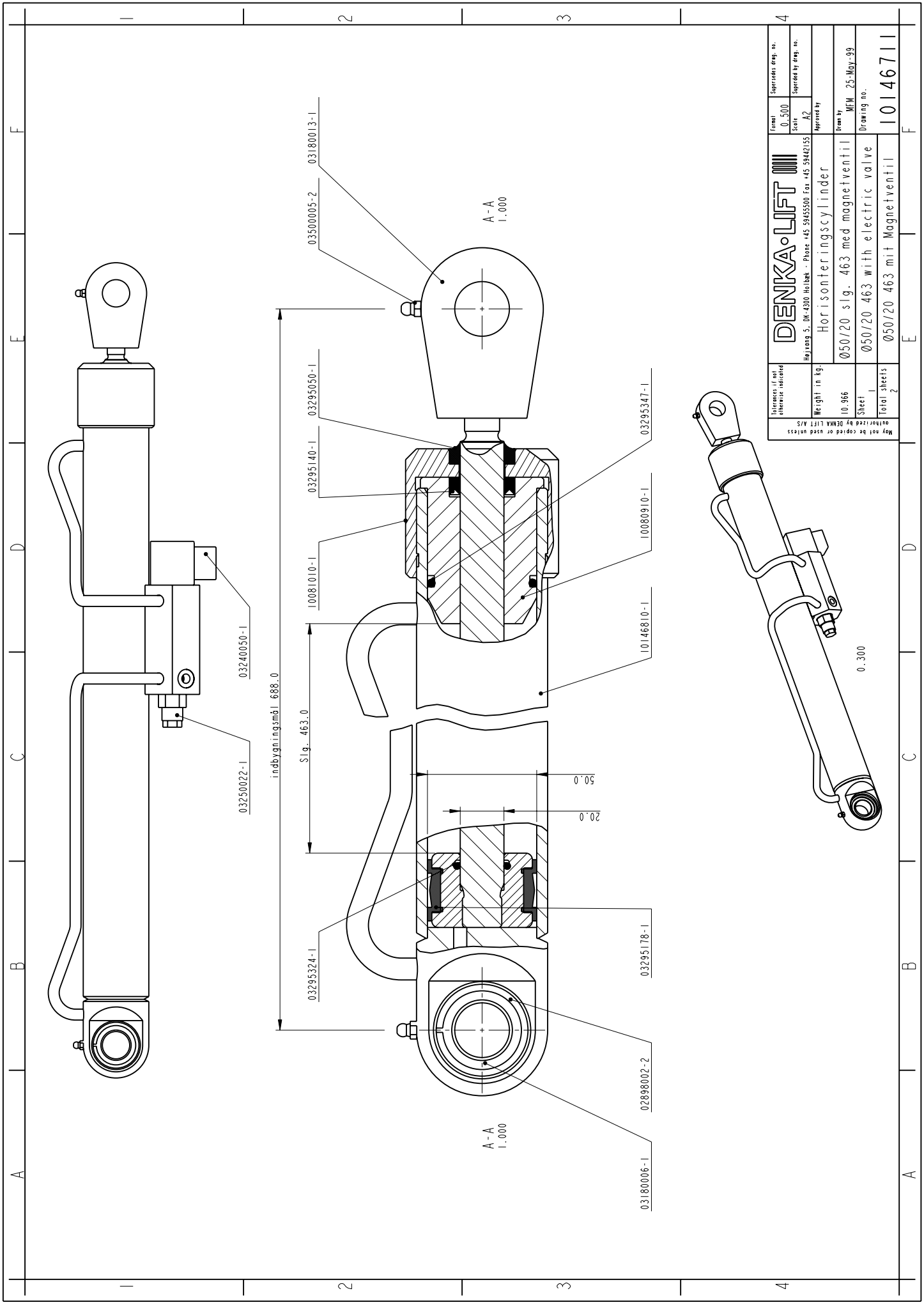
Arbejdstryk: 200 Bar  
 Trykprøves: 250 Bar  
 NOTE: Komplet pakningsset varent.  
 Note: Males 80-120 µm

Rev. D Stempel 10019910 adskiltiel med 10157610	26-Mar-02	PH
Rev. C Stempel 10105210 adskiltiel med 10019910 og 10155010	09-Mar-00	MFM
Rev. C Cylinder nr 10072210 adskiltiel med 10152610	09-Mar-00	MFM
Scale	0-500	Supersedes drawing no.
Scale	A2	Superseded by drawing no.
Approved by	DAIS - 75760-3880-VK-HS	
Weight in kg	Bomcylinder 21m MK24	
103.577	Sheet	
Total sheets		
10105111		



DAIS - 75760-3880-VK-HS  
 Bomcylinder 21m MK24  
 Drawing no. 10105111

May not be copied or used unless authorized by DENKA LIFT A/S



Tolerances if not otherwise indicated	Formel	Supersedes drawing no.
	0.500	
Weight in kg	Scale	Superseded by drawing no.
	1:1.000	
Total sheets	Approved by	
	2	
Sheet	Drawn by	
	1	MFM 25-May-99
Horisonteringscylinder		Drawing no.
Ø50/20 slg. 463 med magnetventil		10146711
Ø50/20 463 with electric valve		
Ø50/20 463 mit Magnetventil		

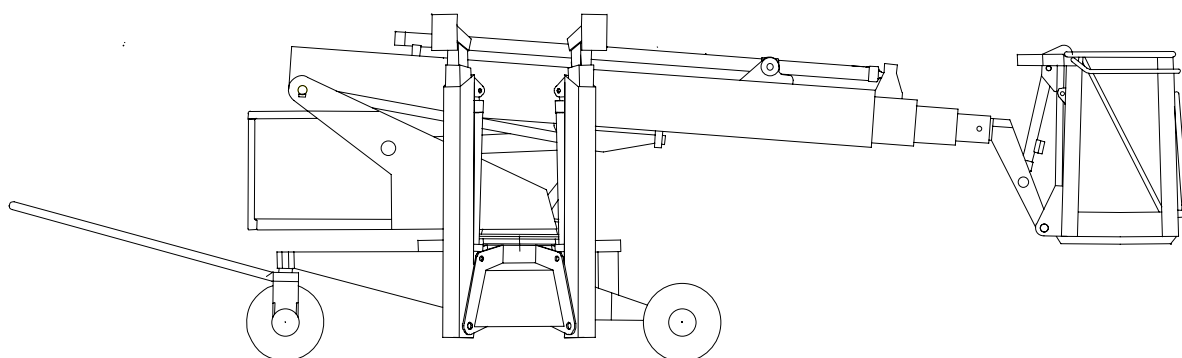
DENKA-LIFT  
 Højrang 5, DK-4200 Hørbæk - Phone +45 59455500 Fax +45 59442155  
 May not be copied or used unless authorized by DENKA LIFT A/S  
 0.300



**RESERVEDELS-  
KATALOG**

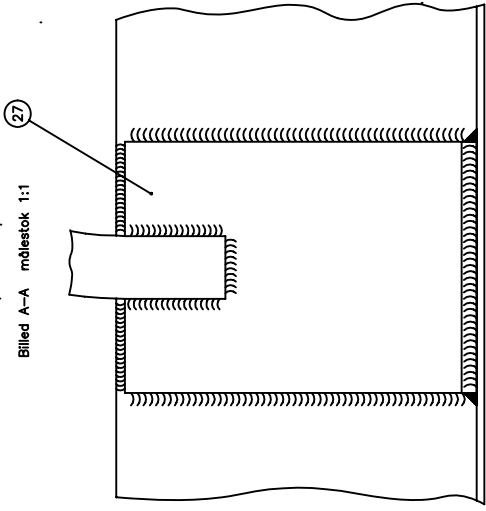
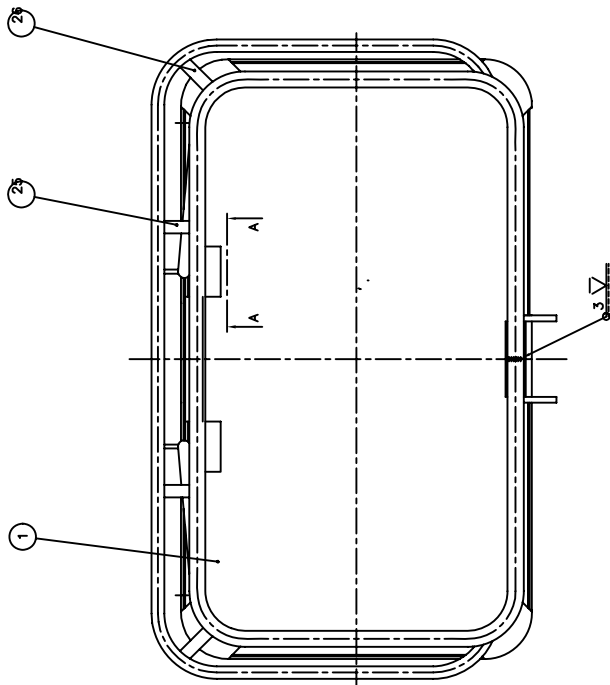
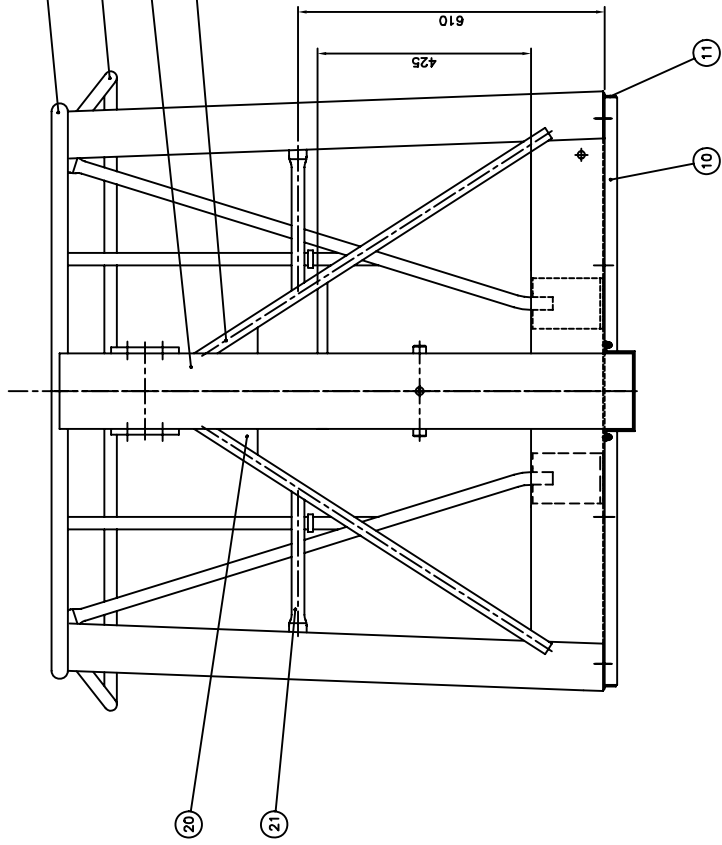
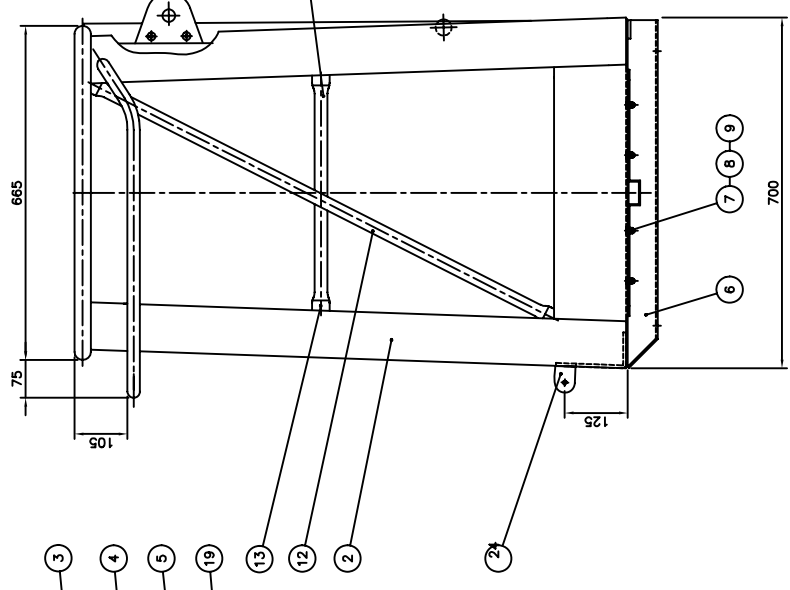
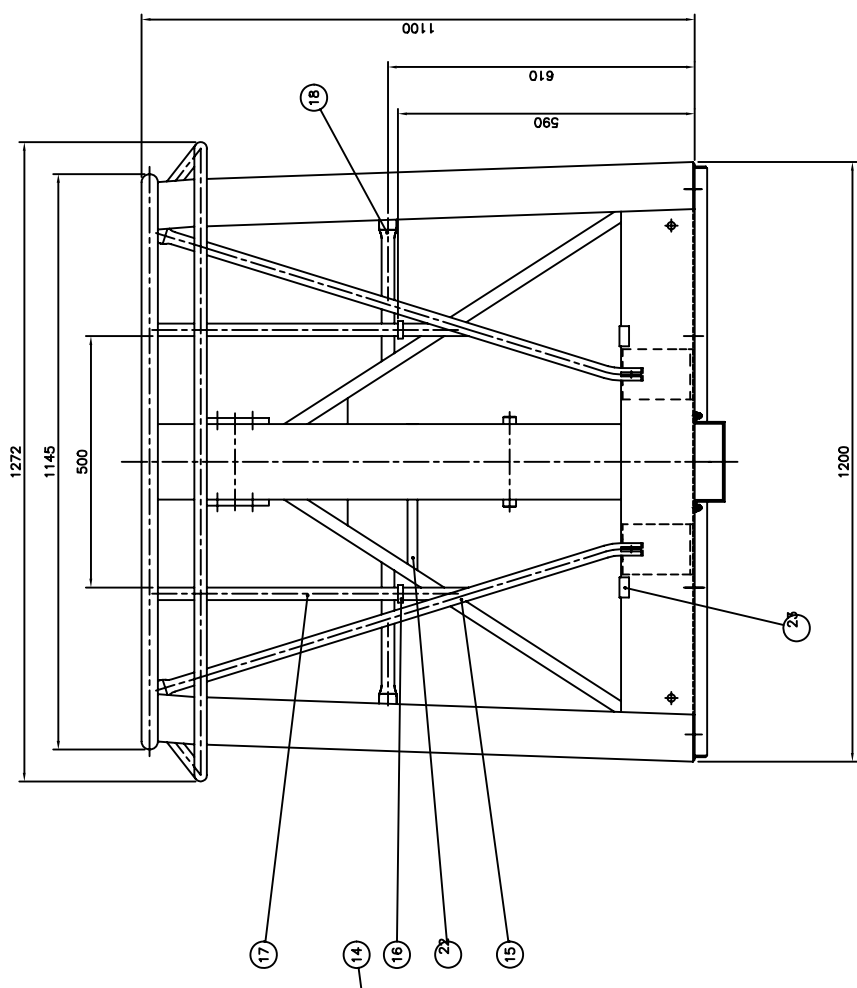
**SPARE PARTS  
CATALOGUE**

**ERSATZTEILS-  
KATALOG**



**KURV  
BASKET  
KORB**

Version – 07.2004

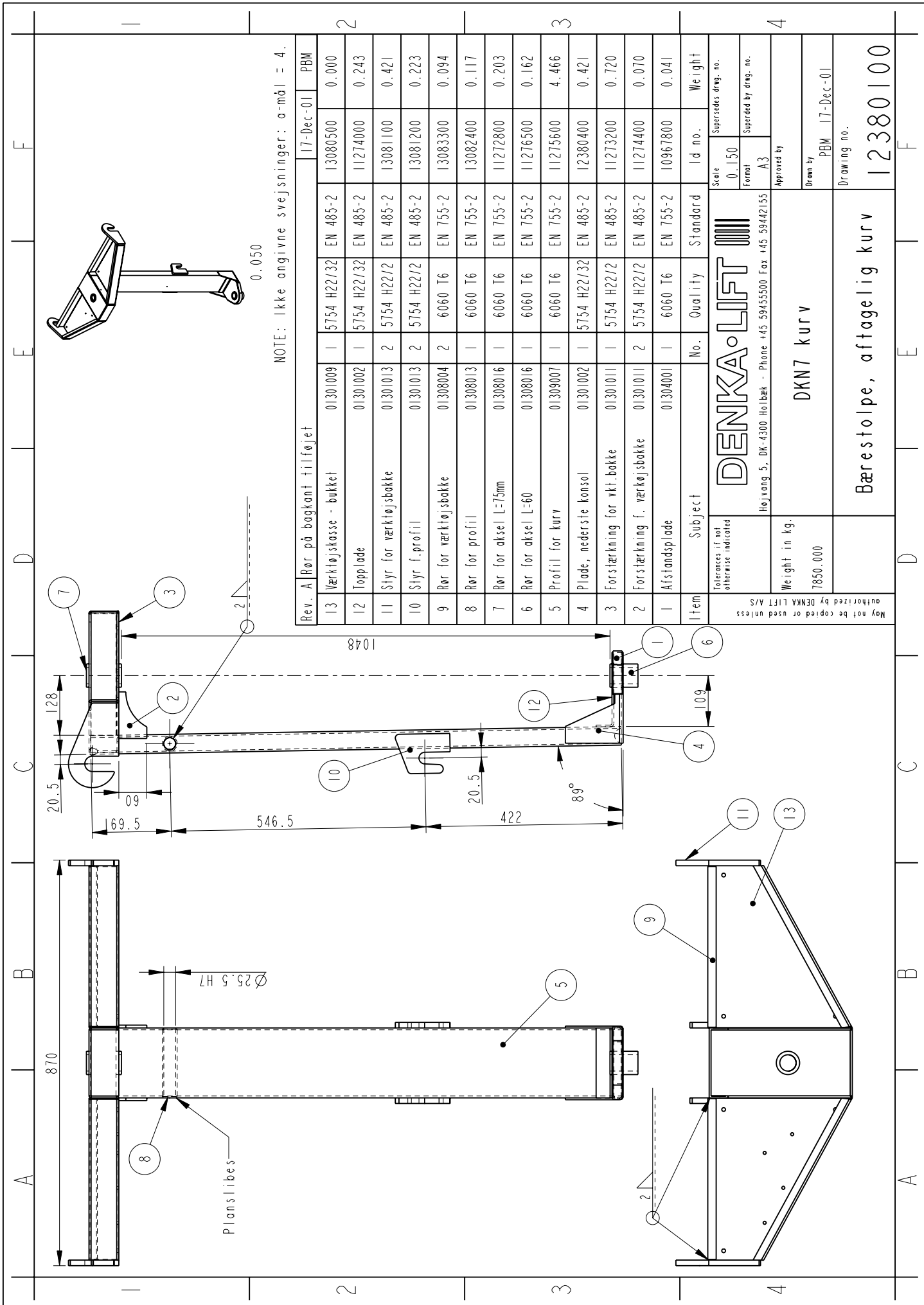


NOTE: Tolerancer efter DS 326 A.  
 NOTE: Alle ikke angivne svejninger, a-mål=3

Item	Quantity	Description	Material	Standard	Dimension	Weight
12	2	Rør for kurv - side	10798000			
11	2	Låstuds for handformering	10987500			
10	2	U-profil for handformering	10987400			
9	8	Ruedift aluminium, A2 M6	021198004			
8	8	Ruedift alu A2 M6	02328004			
7	8	Ruedift alu UH A2 M6x16	02244007			
6	1	Formering for karbund, svejst	13062700			
5	1	Profil for kurv svejst/montret	13063000			
4	1	Belegkasseremme	10798400			
3	1	Handstift for kurv	10798300			
2	4	Hjernerække stødetæt armé AlMgSi0.5	10798200			
1	1	Bund for aluminiumskurv 1200mm aldel	10989400			
Sum		Subjekt				
12		1200x1200				
26		10798700				
25		11280000				
24		10797000				
23		10799000				
22		10797700				
21		12890000				
20		10798000				
19		10798000				
18		12894000				
17		10798300				
16		11278300				
15		10798400				
14		12890000				
13		12890300				

DenKALIFT  
 Højebjergsvej 15, DK-5300 Aabenraa  
 Tlf. +45 73 51 13-14  
 E-mail: info@denkalift.dk

Aftagelig kurv  
 Kurv 1200mm, svejst  
 1 30801 00

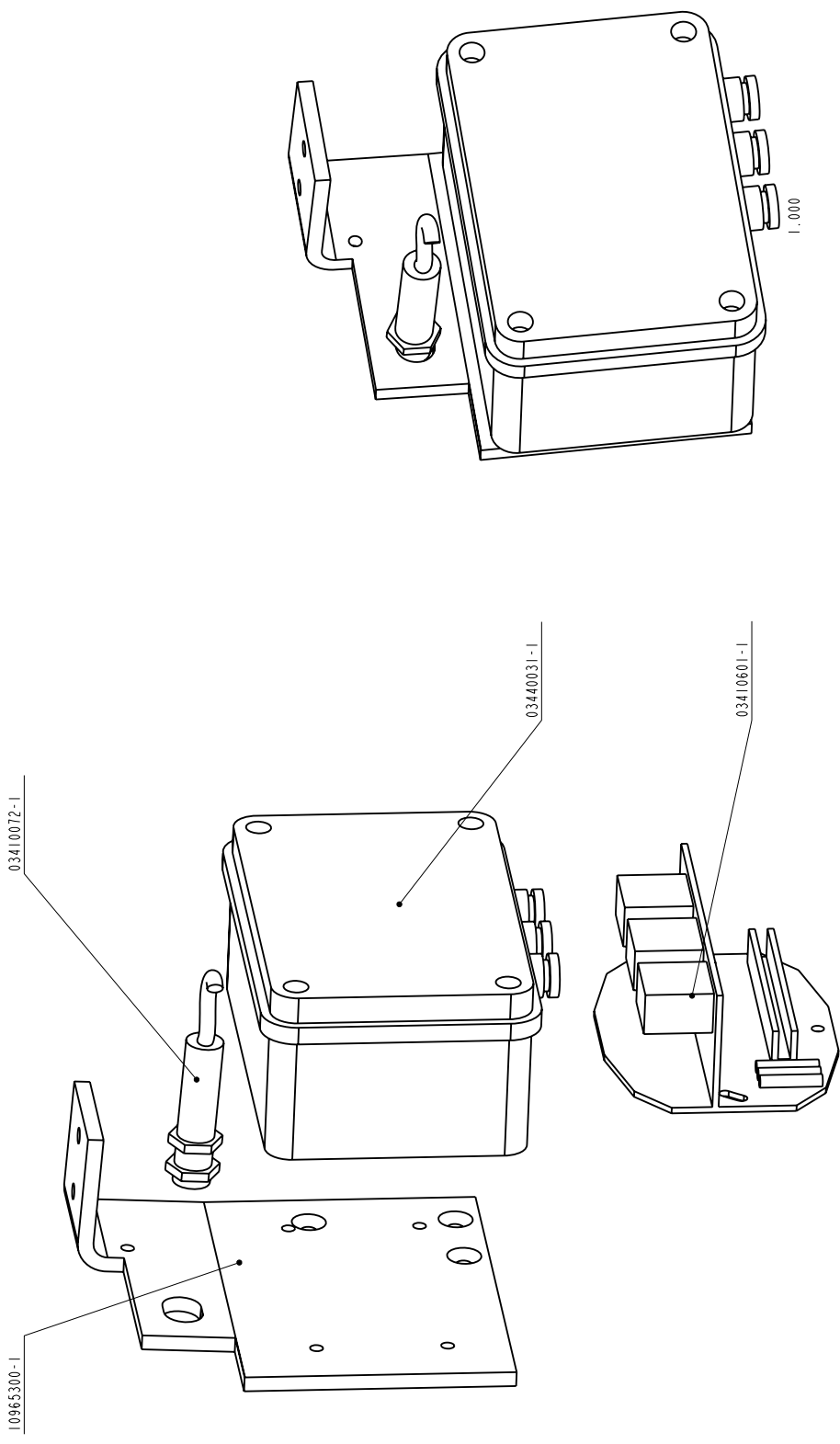


NOTE: Ikke angivne svejsninger: a-mål = 4.

Rev.	A	Rør på bagkant tilføjet	17-Dec-01	PBM		
13	Værktøjskasse - bukket	01301009	1	5754 H22/32 EN 485-2	13080500	0.000
12	Topplade	01301002	1	5754 H22/32 EN 485-2	11274000	0.243
11	Styr for værktøjsbakke	01301013	2	5754 H22/2 EN 485-2	13081100	0.421
10	Styr f.profil	01301013	2	5754 H22/2 EN 485-2	13081200	0.223
9	Rør for værktøjsbakke	01308004	2	6060 T6 EN 755-2	13083300	0.094
8	Rør for profil	01308013	1	6060 T6 EN 755-2	13082400	0.117
7	Rør for aksel L=75mm	01308016	1	6060 T6 EN 755-2	11272800	0.203
6	Rør for aksel L=60	01308016	1	6060 T6 EN 755-2	11276500	0.162
5	Profil for kurv	01309007	1	6060 T6 EN 755-2	11275600	4.466
4	Plade, nederste konsol	01301002	1	5754 H22/32 EN 485-2	12380400	0.421
3	Forstærkning for vkt.bakke	01301011	1	5754 H22/2 EN 485-2	11273200	0.720
2	Forstærkning f. værktøjsbakke	01301011	2	5754 H22/2 EN 485-2	11274400	0.070
1	Afstandsplade	01304001	1	6060 T6 EN 755-2	10967800	0.041

Item	Subject	No.	Quality	Standard	Id no.	Weight
<b>DENKA-LIFT</b>						
Hejvang 5, DK-4300 Holbæk - Phone +45 59455500 Fax +45 59442155 Approved by:						
Scale 0.150 Supersedes drwg. no.						
Format A3 Superseded by drwg. no.						
Weight in kg. 7850.000						
Drawn by PBM 17-Dec-01 Drawing no. 12380100						

May not be copied or used unless authorized by DENKA LIFT A/S



Tolerances (if not otherwise indicated)	Formel	Supersedes drawing no.
	Scale	1:000
Weight in kg	Mojezina, 5. DM-4200-Heilbronn - Phone: +45 59462155 Fax: +45 59462155	Supersedes by drawing no.
	Alle	A2
Total sheets	Approved by	
	LV-print monteret	PH_28-Dec-00
Sheet	LV-print monteret	Drawing no.
1	LV-Print monteret	14054001
1		

**DENKA-LIFT**

Mojezina, 5. DM-4200-Heilbronn - Phone: +45 59462155 Fax: +45 59462155

Approved by: PH\_28-Dec-00

Drawing no.: 14054001

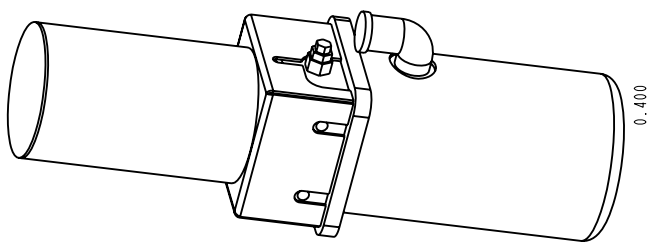
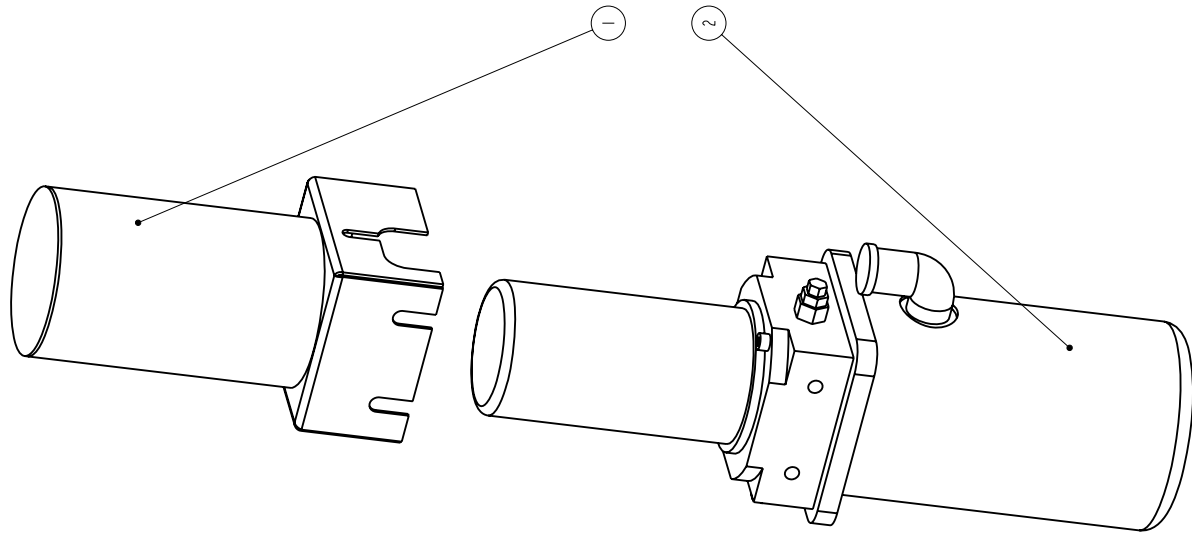
Weight in kg: 7850.000

Total sheets: 1

Sheet: 1

May not be copied or used unless authorized by DENKA LIFT A/S

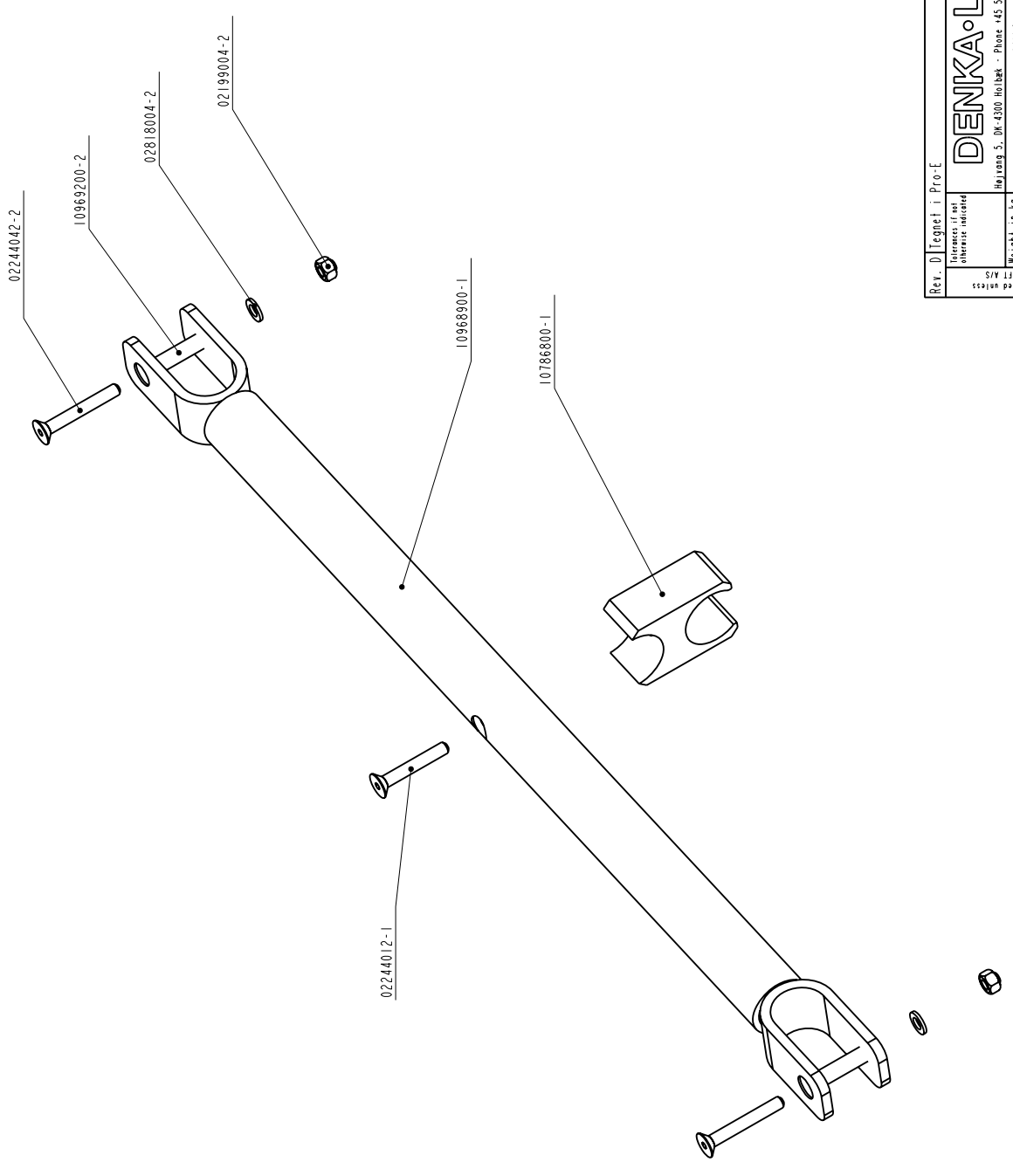




NOTE: Der anvendes 1.5 til 2 liter i anlægget

3	Hydroolie SHF LT15		1	03140111	0.000
2	Horisonteringsanlæg 24V/50Hz		1	03280026	0.000
1	Altlevning til hydr. anlæg 24 V.		1	40152110	0.415
Tolerances if not otherwise indicated		<b>DENKA-LIFT</b> Højrang 5, DK-4300 Hvidebø - Phone: +45 59455500 Fax: +45 59442155 Scale: A2 Approved by: _____ Hydraulik komponenter			
Weight in kg:		7850.000			
Sheet		Horisonteringsanlæg 24V monteret			
Total sheets		1			
Drawn by		DB			
Drawing no.		03-Dec-99			
Total sheets		10154511			

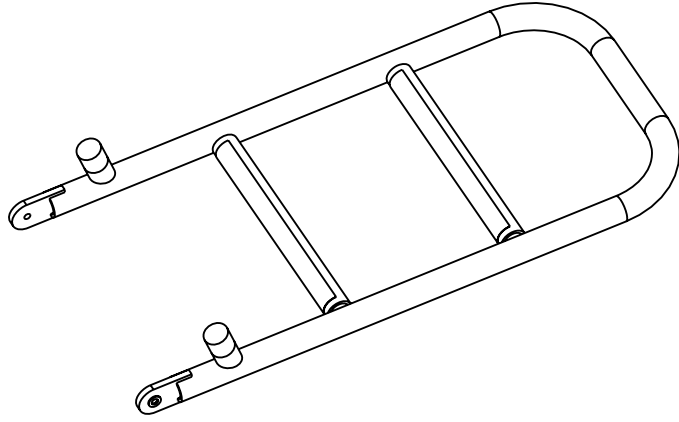
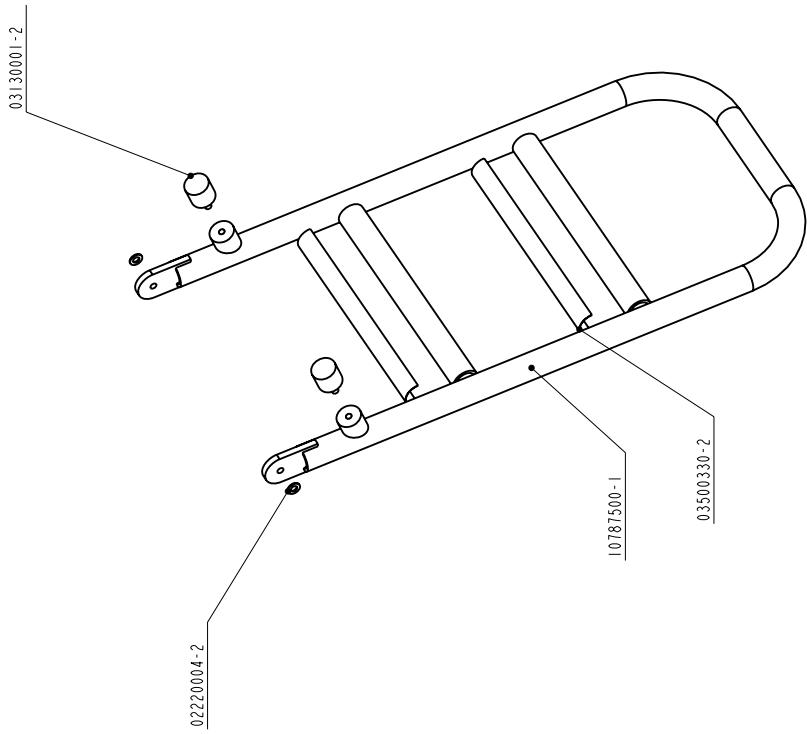
May not be copied or used unless authorized by DENKA LIFT A/S



Rev. 0	Tegnet i Pro-E	25-Jan-01	SH
Tolerances (if not otherwise indicated)	Formel	0.700	Supersedes drawing no.
	Scale	A2	Superseded by drawing no.
	Weight in kg.	Approved by	
	0.594	MK6	
Sheet	Läge komplet, bred stige		
Total sheets	Gate complete		
	Gatter komplett		
May not be copied or used unless authorized by DENKA LIFT A/S		10968801	

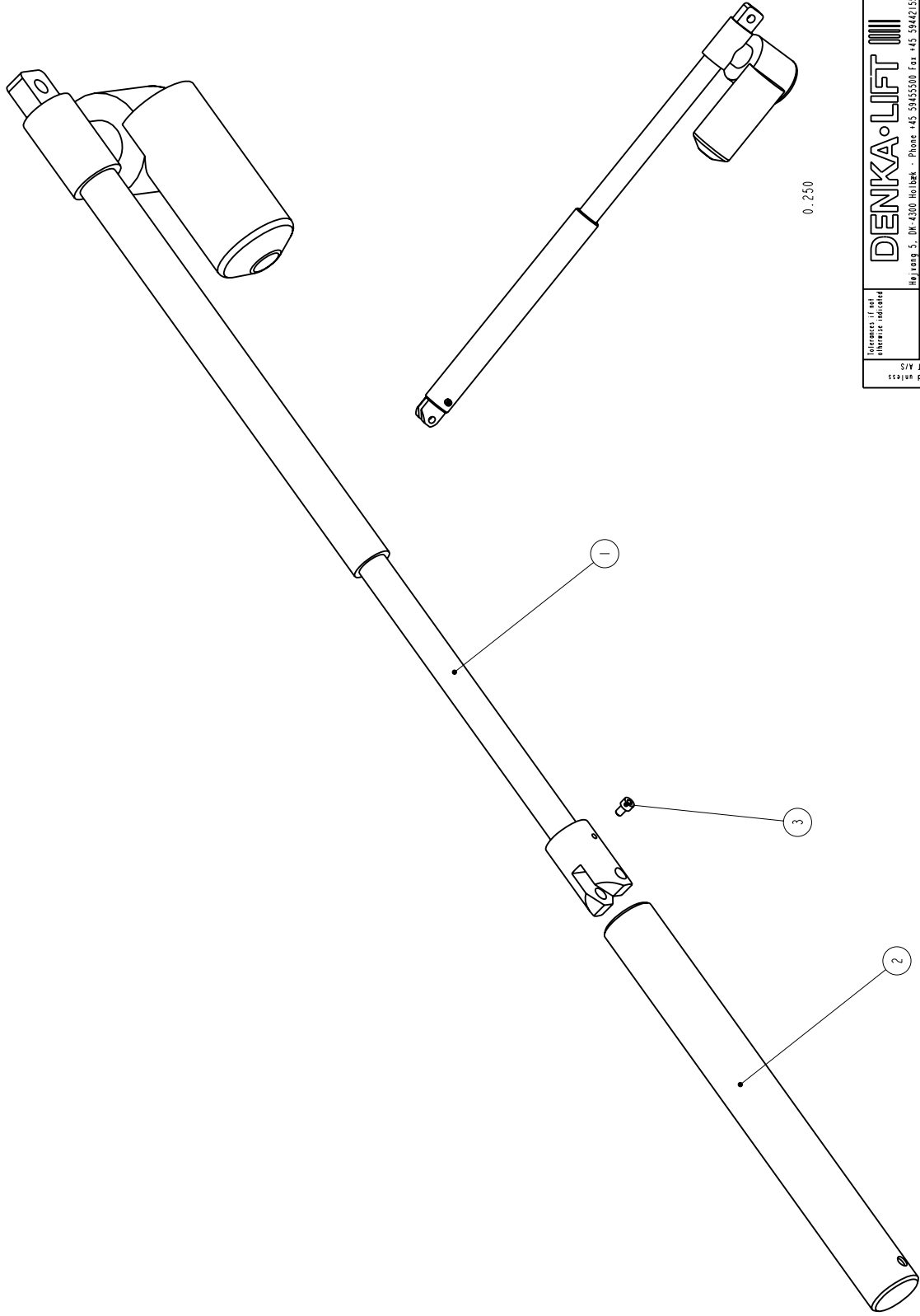
**DENKA-LIFT**

Højvang 5, DK-4300 Hvidebæk - Phone: +45 59455500 Fax: +45 59442155



Dimensions (if not otherwise indicated)	DS 2168-1 m	Weight in kg	7850,000	Sheet	1	Total sheets	1
<p>May not be copied or used unless authorized by DENKA LIFT A/S</p>							
<p>Denka-LIFT III</p> <p>Hojsvang 5, DK-4300 Hvidebæk - Phone: +45 59455500 Fax: +45 59442155</p>		<p>Scale: 0,250</p> <p>Drawn by: JZ</p>		<p>Approved by:</p>		<p>Supersedes drawing no.:</p>	
<p>Stige kpl. f. kurv</p>		<p>Stige kpl. f. kurv</p>		<p>Drawn by: MFM 03-Jan-01</p>		<p>Supersedes drawing no.:</p>	
<p>Letter mounted</p>		<p>Letter mounted</p>		<p>Drawing no.:</p>		<p>10772601</p>	
<p>Letter monteret</p>		<p>Letter monteret</p>		<p>Drawing no.:</p>		<p>10772601</p>	

4	Stige
3	Strid
2	Rang
1	Myion



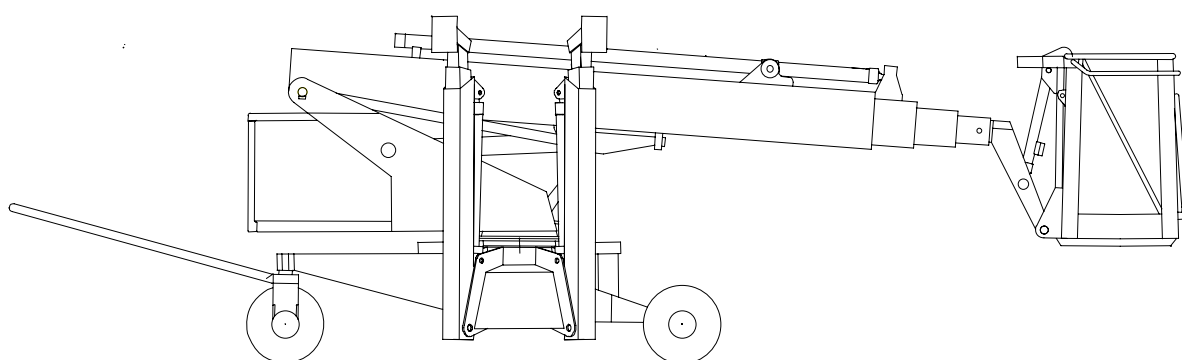
Dimensions (if not otherwise indicated)	Formel 0-500	Supersedes drawing no.
Weight in kg.	Scale A2	Supersedes by drawing no.
7850.000	Mojevac 5, DM-4300-Heilbronn - Phone: +45 59462155	Approved by
Sheet 1	komp.	
Total sheets 1	Actuator kpl. LA30.1-300-24V	Drawn by PH 21-Dec-00
	Actuator kpl. LA30.1-300-24V	Drawing no.
	Actuator kpl. LA30.1-300-24V	10182801

May not be copied or used unless authorized by DENKA LIFT A/S

**RESERVEDELS-  
KATALOG**

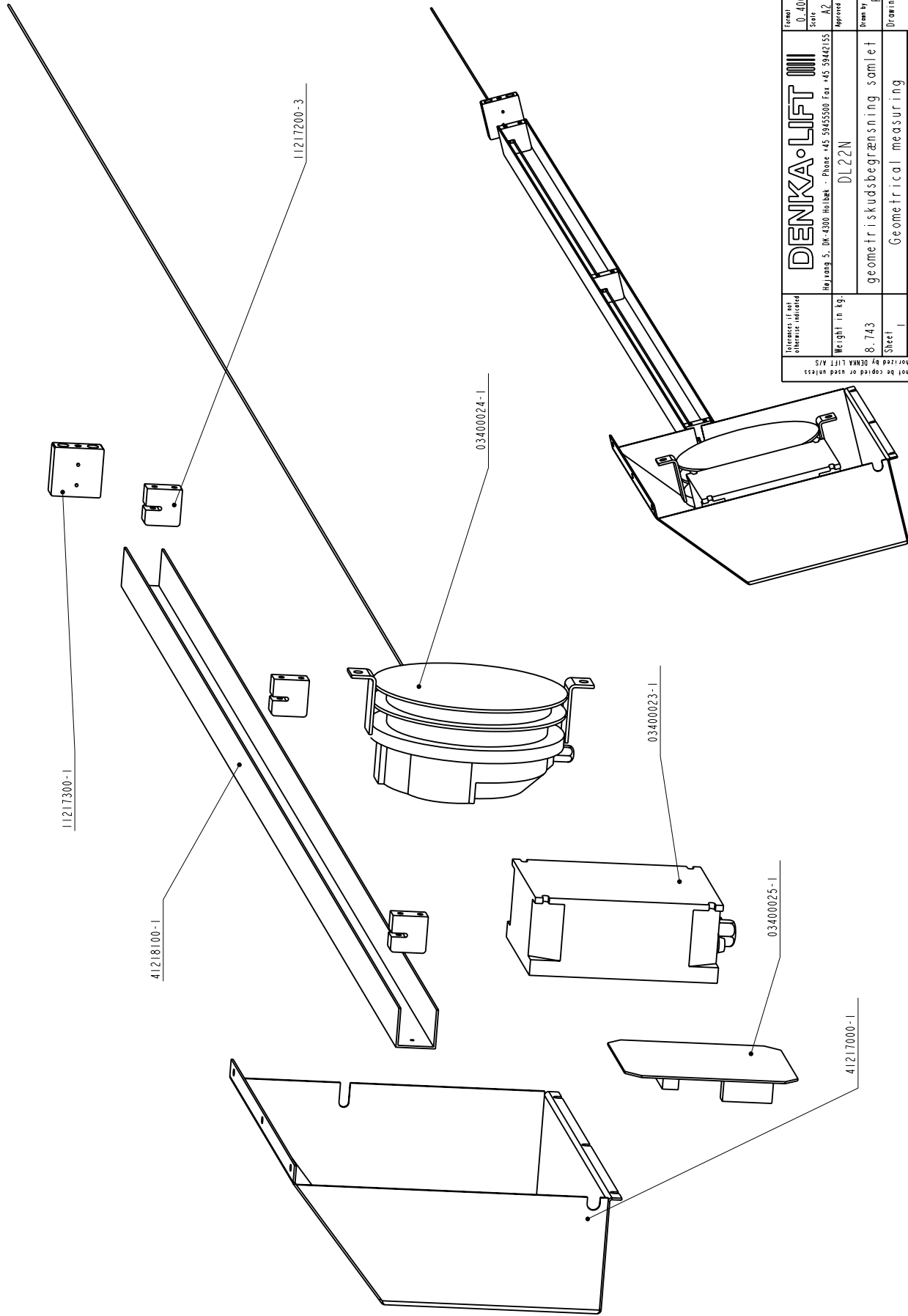
**SPARE PARTS  
CATALOGUE**

**ERSATZTEILS-  
KATALOG**



**EXTRA**

Version – 07.2004

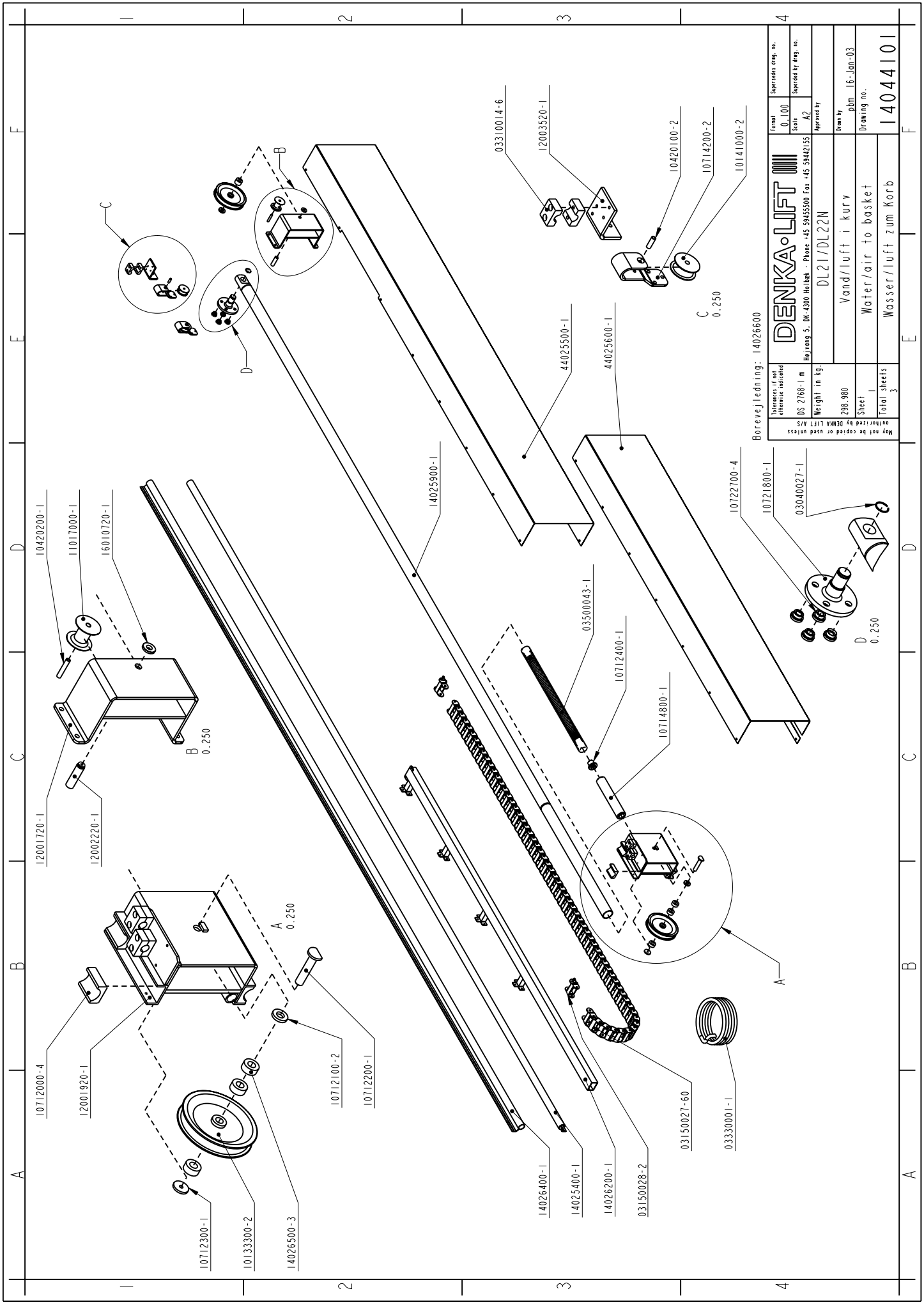


0.300

Tolerances if not otherwise indicated	Formel	Supersedes drawing no.
	0.400 Scale	
Weight in kg	DL22N	Approved by
	8.743 Sheet	PH_23-Nov-99 Drawing no.
Total sheets		11218001

**DENKA-LIFT**  
 Holzmang. S., DK-4300 Halsted - Phone +45 59455500 Fax +45 59442155  
 geometriskudsbegrænsning samlet  
 Geometrical measuring  
 geometrisch abgrenzen

May not be copied or used unless authorized by DENKA LIFT A/S



Borevej ledning: 14026600

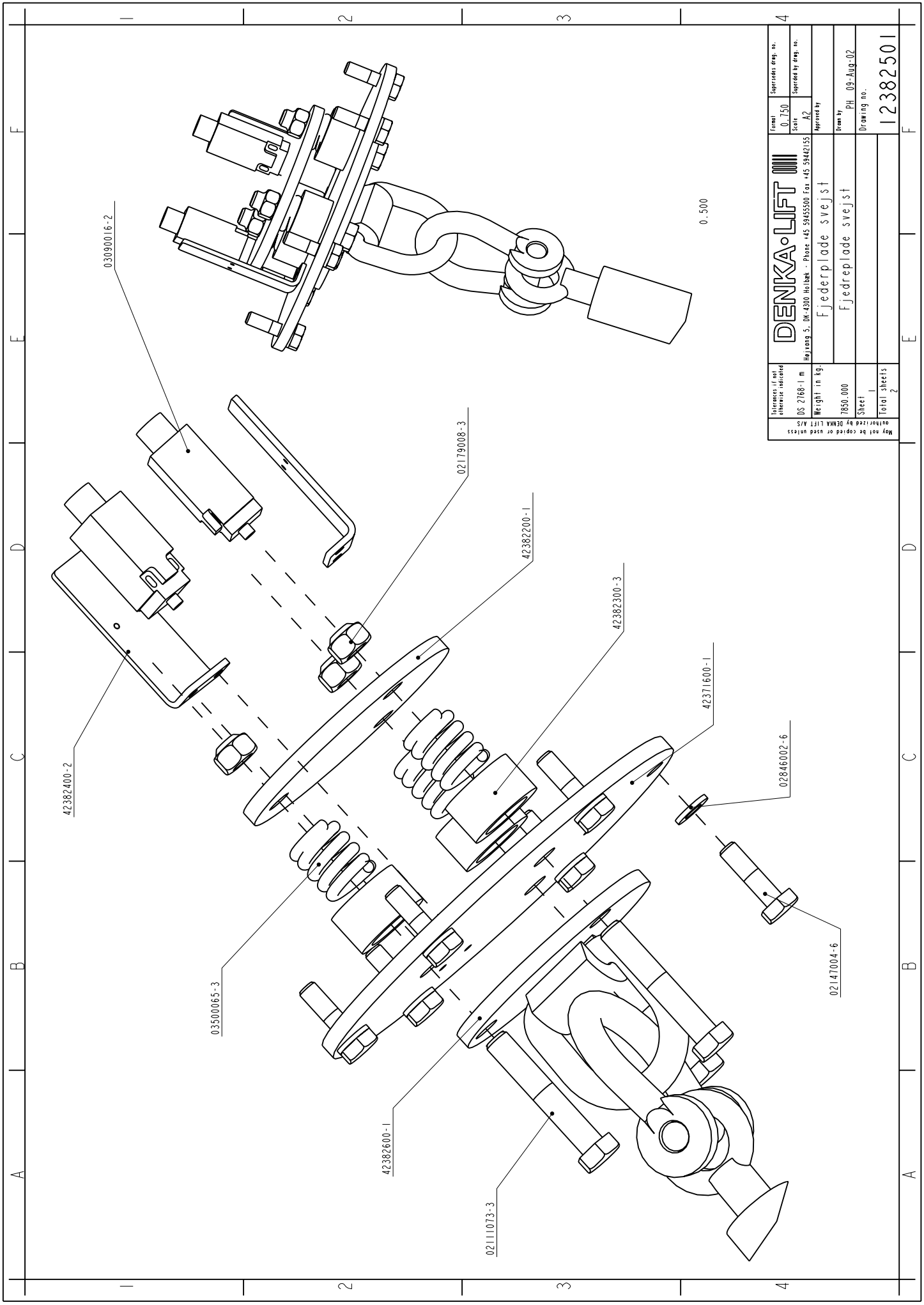
<b>DENKA-LIFT</b>		Formel: 0.100 Skala: A2	
DL21/DL22N		Supersedes drawing no.:	
Vand/luft i kurv		Supersedes drawing no.:	
Water/air to basket		Drawn by: pbm 16-Jan-03	
Wasser/luft zum Korb		Drawing no.:	
I 4044101			

Tolerances (if not otherwise indicated)		Weight in kg:	
DS 2168-1 m		298.980	
København 5, DK-4200 Haslev - Phone: +45 59455500 Fax: +45 59442155		Sheet 1	
Authorized by DENKA LIFT A/S		Total sheets 3	

C 0.250

D 0.250

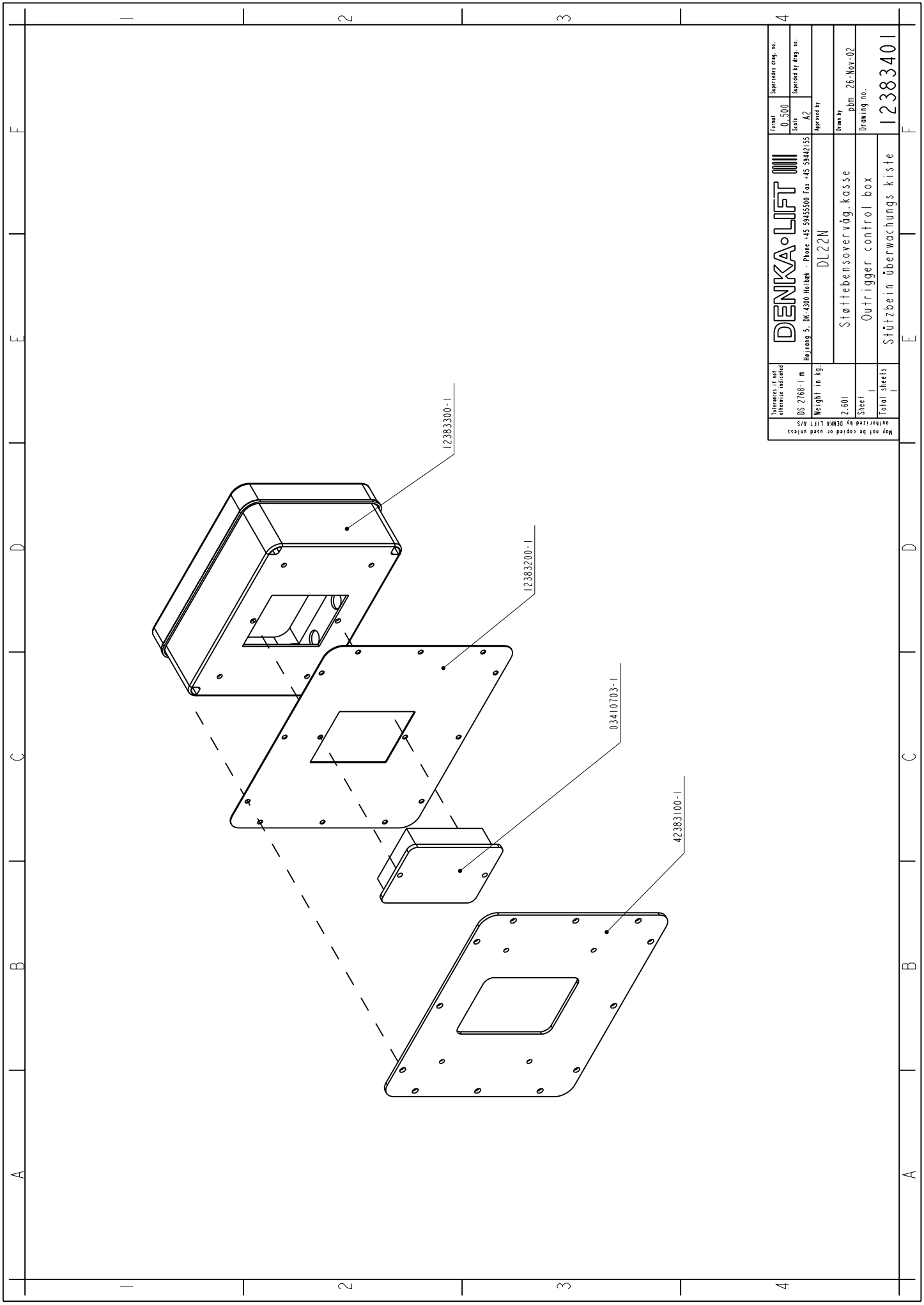
A 0.250



Dimensions (if not otherwise indicated)	DS 2168-1 m	Mojevac 5, DK-4200-Holbæk - Phone: +45 59455500 Fax: +45 59442155	Formel: 0.750	Supersedes drawing no.:
Weight in kg:	7850.000		Scale: A2	Supersedes by drawing no.:
Sheet	1		Approved by:	
Total sheets	2		Drawn by:	PH_09-Avg-02
Fjedreplade svejst			Drawing no.:	
Fjedreplade svejst			12382501	

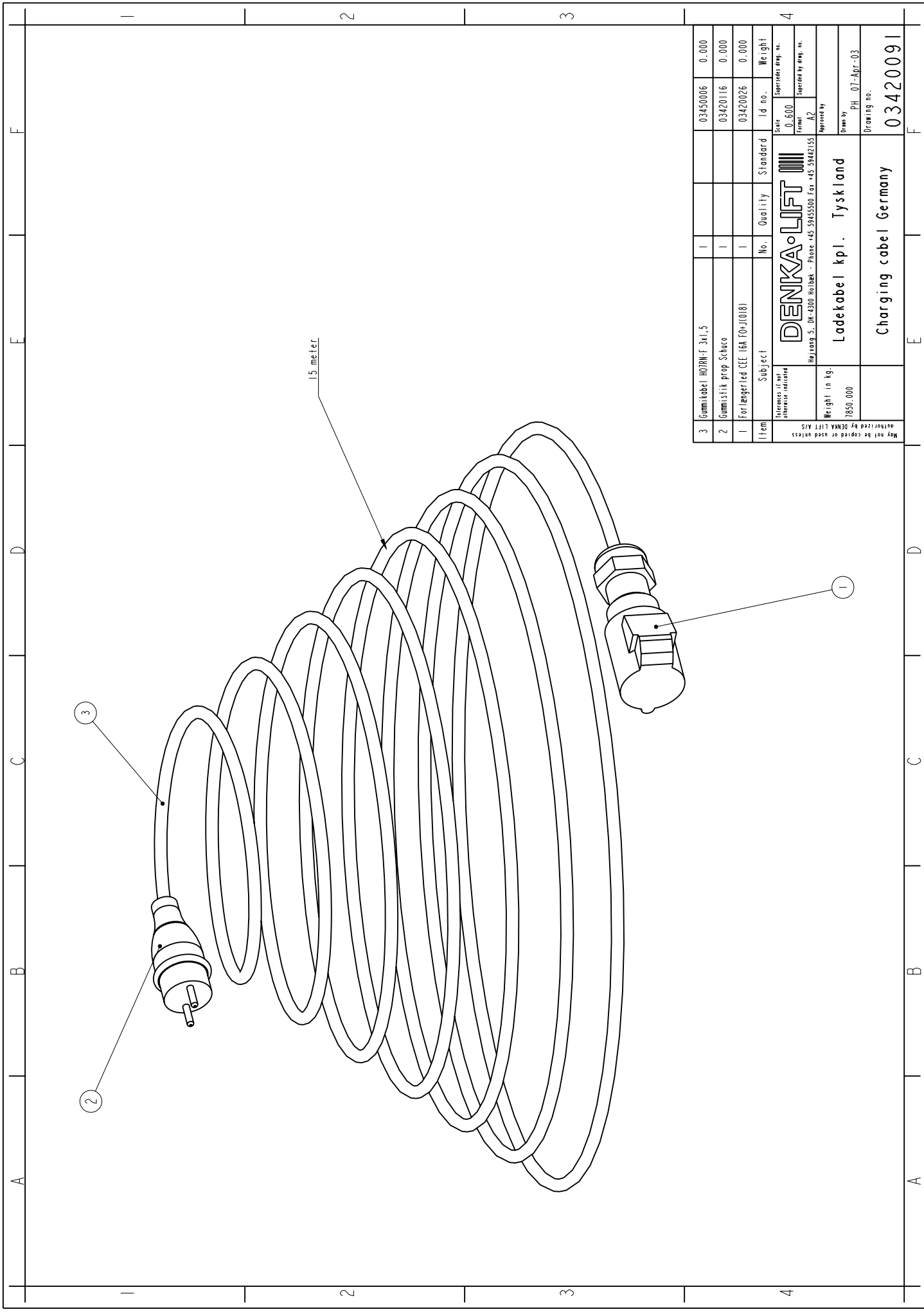
May not be copied or used unless authorized by DENKA LIFT A/S



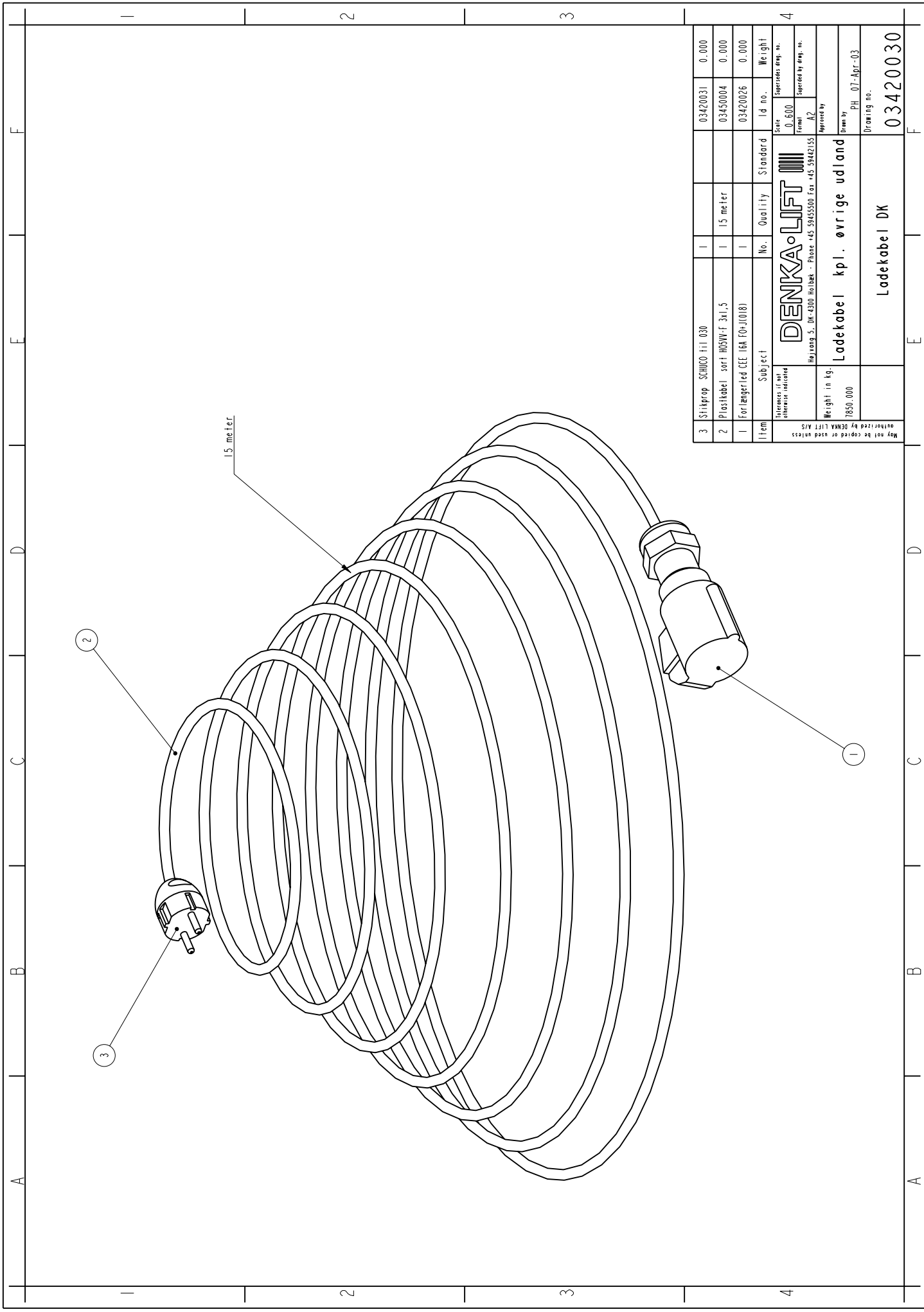


Dimensions (if not otherwise indicated)	DS 2168-1 m	Mojevac 5, DM-4300-Heidelberg - Phone +45 59455500 Fax +45 59442155	Formel 0-500	Supersedes drawing no.
Weight in kg	2.60	DL22N	Scale A2	Supersedes by drawing no.
Sheet	1	Støttebensovervåg. kasse	Approved by pbm	
Total sheets	1	Outrigger control box	Drawn by pbm	26-Nov-02
		Stützbein überwachungs kiste	Drawing no.	12383401

May not be copied or used unless authorized by DENKA LIFT A/S

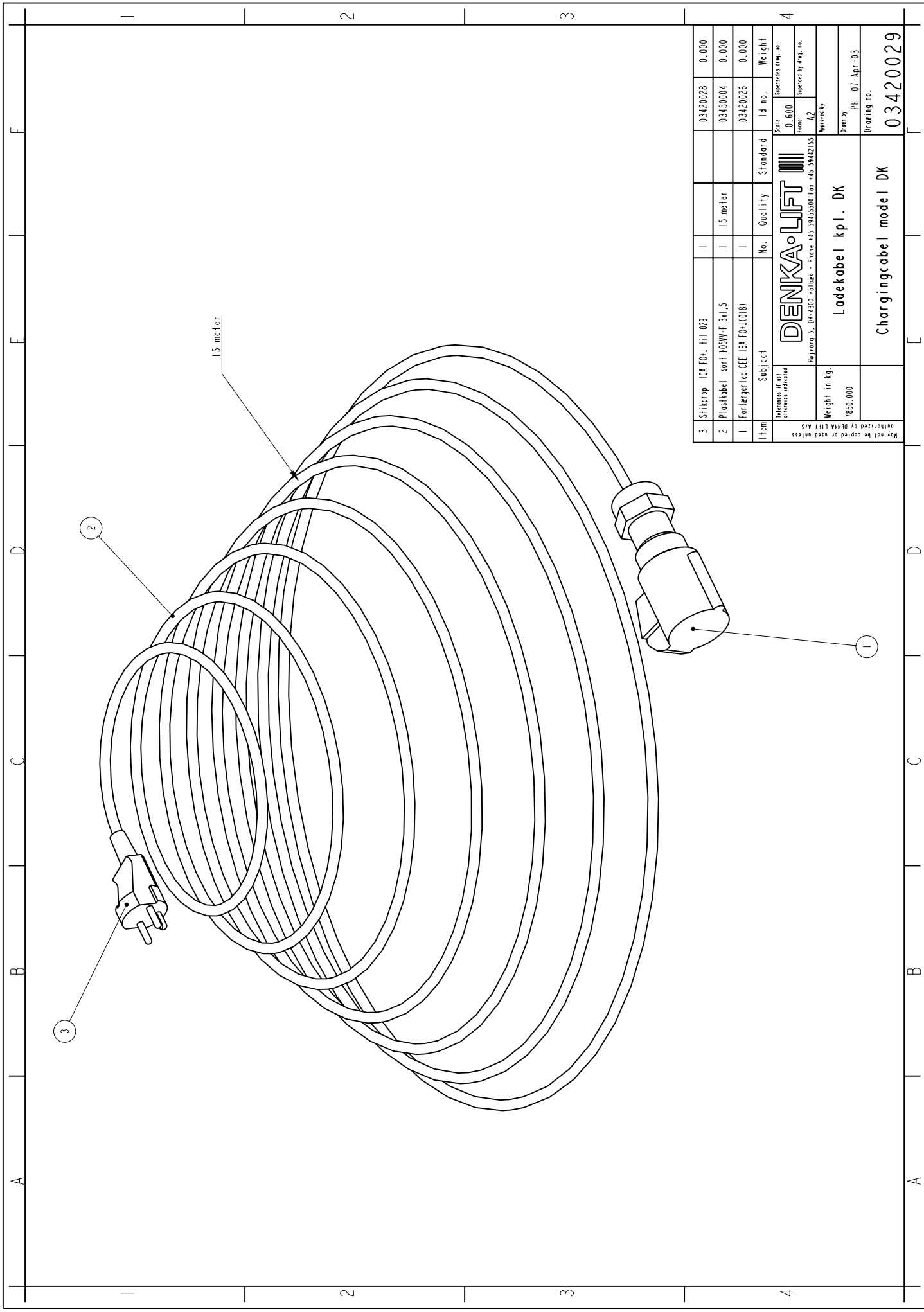


3	Gummikabel HO7RN-F 3x1,5	1		03450006	0.000
2	Gummistik prop. Schuko	1		03420116	0.000
1	Fortlanger led CEE 16A T0-J(018)	1		03420026	0.000
Item	Subject	No.	Quality	Standard	Id no.
Dimensions if not otherwise indicated Weight in kg. 7850.000		<b>DENKA LIFT</b> Holtrup 5, DK-4300 Høbbek - Phone: +45 59455500 Fax: +45 59442155 Ladekabel kpl. Tyskland Charging cable Germany			
May not be copied or used unless authorized by DENKA LIFT A/S		Approved by: State: 0.600 Serial: 212 Supersedes drawing no.: PHL 07-Apr-03 Drawing no.: 03420091			



3	Stikprop	SCHUCO til D30	1		03420031	0.000
2	Plastkabel	sort H05VV-F 3x1,5	1	15 meter	03450004	0.000
1	Forlængerled	CEE 16A TO-J(018)	1		03420026	0.000
Item	Subject	No.	Quality	Standard	Id. no.	Weight
<small>Intensities if not otherwise indicated</small> <b>DENKA•LIFT</b> <small>Højvang 5, DK-4300 Høbbek - Phone: +45 59455500 Fax: +45 59442155</small>		<small>Scale</small> 0.600 <small>Format</small> A2 <small>Approved by</small> PHL 07-Apr-03		<small>Supersedes drawing no.</small> 03420030 <small>Supersedes drawing no.</small> 03420030		
<small>Weight in kg.</small> 7850.000		<small>Approved by</small> <b>Ladekabel kpl. øvrige udland</b> Ladekabel DK 03420030				

May not be copied or used unless authorized by DENKA LIFT A/S



3	Stilprop	10A FO-J III 029	1		03420028	0.000
2	Plastikabel	sorti H05VV-F 3x1,5	1	15 meter	03450004	0.000
1	Forlængerled	CEE 16A FO-J(018)	1		03420026	0.000
Item	Subject	No.	Quality	Standard	Id. no.	Weight
Interness if not otherwise indicated		Møjlsang 5. DK-4300 Høbbek - Phone. +45 59455500 Fax. +45 59442155		DENKA LIFT		Scale 0.600
Weight in kg. 7850.000		Ladekabel kpl. DK		Approved by		Supersedes drawing no.
May not be copied or used unless authorized by DENKA LIFT A/S		Chargingcabel model DK		Drawn by PHL 07-Apr-03		Supersedes by drawing no.
				Drawing no.		03420029